

# 4 & 5 Gang Fixed Powerpoints

Ready for all Kitchens, Bedrooms, Offices,  
Entertainment Areas and Workshops.



Order code: **PUBIG4**



Order code: **PUBIG5**

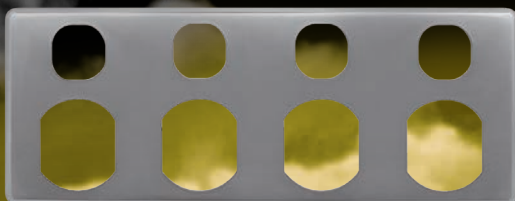


**ORANGE  
INDICATORS**



Order code: **PUBIG4BK**

Mounting Blocks to suit  
Puma and Cheetah BIG4 & BIG5  
are also available  
**CHBIG4MB / CHBIG5MB**



Order code: **PUBIG4CA**



Order code: **PUBIG5CA**



Available Now through your Electrical Wholesaler

# 4 & 5 Gang Fixed Powerpoints

Trader's 4 and 5 Gang Fixed Powerpoint Range is another range of switches and sockets ready for use by Australian Electrical Contractors. Unique to Trader - both the Puma and Cheetah versions have a green back, with the Puma range featuring orange dolly indicators.

We believe our 4 and 5 Gang range serves the consumer expectations of Australians that are building or renovating and many other commercial installs. So many jobs need that extra fixed gang power point in Kitchens, Bedrooms, Offices, Entertainment Areas and Workshops.

The Four Gang most certainly does the job and is what we are all familiar with, however we hear so often a Five Gang would be even better, this is why:

**Kitchen** – Oven, Toaster, Kettle, Thermomix, Phone Charger.

**Bedroom** – Clock Radio, Phone Charger, Electric Blanket, Two Lamps.

**Living Room** – Television, DVD Player, MP3 Player, PlayStation, Sound Bar.

**Office** – Computer, Printer, Fax Machine, Phone Charger, Lamp.

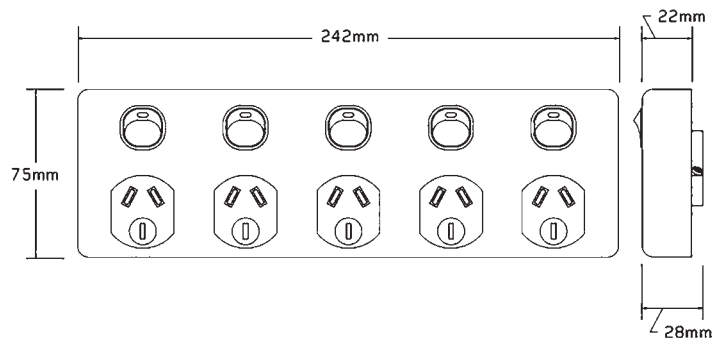
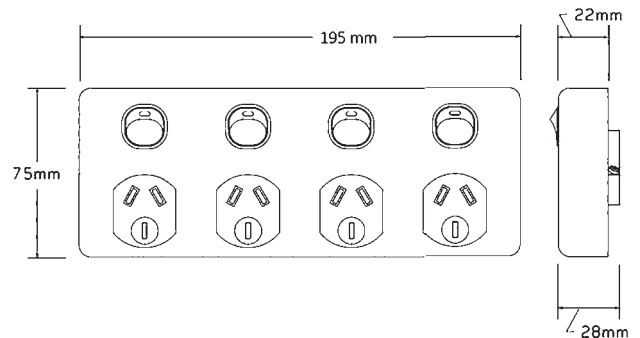
**Workshop** – Power Drill, Computer, Phone Charger, Bar Fridge, Stereo.

### Compatible Accessories

Trader Mounting Blocks work a treat for installations where surface mounting is required in a retrofit. Conduit or duct is compatible with the backing plate where additional safety is required on conducting surfaces.

### Trader is 4 and 5 Gang Ready!

- Double pole surface mounted switched power point.
  - 10A at 250V~
  - Diameter 6mm terminal bores to suit 4 x 2.5 mm cables.
  - Fits 84 mm mounting centres.
  - Has polycarbonate cover so it resists yellowing.
  - Approved to AS/NZS3112.
  - Available in White. PUBIG4BK is available in Black.
- Both PUBIG and PUBIG Aluminium 'Look' Covers are also available.



### Cross Reference Chart

Trader	*Clipsal
PUBIG4	C2015D4
PUBIG5	Nil

**PUBIG4 and PUBIG5  
DOUBLE POLE**



100 Years of Gerard Electrical Tradition

**PUBIG4  
AVAILABLE IN  
BLACK  
PUBIG4 & PUBIG5  
NOW ALSO AVAILABLE WITH  
ALUMINIUM 'LOOK'  
COVERS**



\*Clipsal is a registered trademark of Schneider Electric (Australia) Pty. Ltd.