

SNPP1GWW SNPP151GWW

Also available in:

Black cover, Black grid
White cover, Silver grid
Black cover, Silver grid

See order code details
in notes below table

Cleaning Guide:

Spraying cleaning products directly on to electrical switches or power points (sockets) is not recommended.

It is important to ensure that switches are turned off before cleaning.

Do not use any cleaning sprays - only wipe down with damp cloth or rub with dry cloth. Do not use an abrasive cloth as it may scratch the plastic.

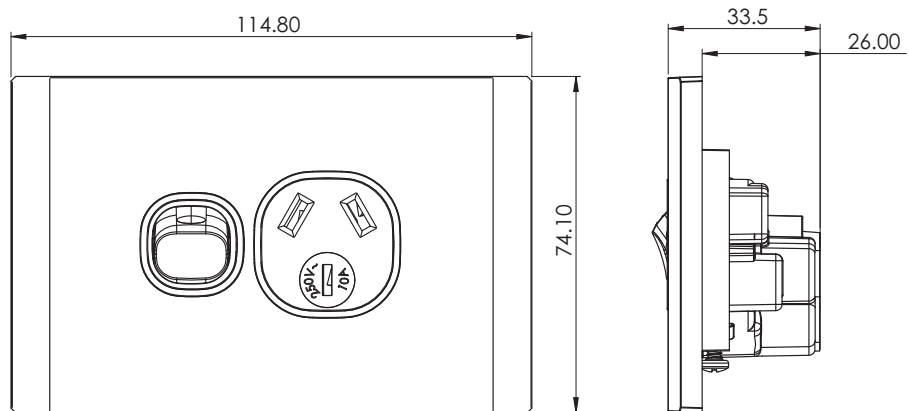
Do not use harsh chemical cleaners as these can break down the plastic and cause it to crack.

Do not wash the cover plates in water over 60°C.



Snow Leopard Range of Single Power Points

- Socket outlets approved to AS/NZS3112
- Fits standard Australian wall boxes and mounting accessories that use 84mm mounting centres
- Uses brass tunnel terminals that have the screws backed out for easier installation of cabling. Power point terminals have 6mm bore to suit 4 x 2.5mm² cable. Switch terminals have 4.1mm suit 4 x 1.5mm²
- Combination head screws for the socket terminals
- Uses 'Cat Flap' screw covers for IP rating mounting screws
- Dolly indicator colour green
- Covers, plates and dollies are made from UV stabilised polycarbonate to avoid discolouring to yellow
- Standard colour is white. Available in Black, White/Silver and Black/Silver - Please check availability.
- Typical example of size seen below:



Catalogue Number	Description
SNPP1GWW	Power Point Switched 1 Gang, 10A 250V~, White Cover, White Grid
SNPP151GWW	Power Point Switched 1 Gang, 15A 250V~, White Cover, White Grid

ORDERING NOTES:

When ordering **BLACK/BLACK** product replace "WW" with "BB" at end of catalogue number, ie SNPP2GBB
When ordering **BLACK/SILVER** product replace "WW" with "BS" at end of catalogue number, ie SNPP2GBS
When ordering **WHITE/SILVER** product replace "WW" with "WS" at end of catalogue number, ie SNPP2GWS

MEERKAT 

MEERKAT Switch Mechanisms are used for all switch plates.
Please refer to **MEERKAT Mech Matrix** for full range.

Certification Number:

GMA-103194-EA-008
and GMA-500347-EA

GSM Electrical (Australia) Pty Ltd

Level 2, 142-144 Fullarton Road, Rose Park SA 5067
P: 1300 301 838 F: 1300 301 778 E: service@gsme.com.au
www.gsme.com.au



SNPP2GWW SNPP152GWW SNPPSW2GWW

Also available in:
Black cover, Black grid
White cover, Silver grid
Black cover, Silver grid
See order code details
in notes below table

Cleaning Guide:

Spraying cleaning products directly on to electrical switches or power points (sockets) is not recommended.

It is important to ensure that switches are turned off before cleaning.

Do not use any cleaning sprays - only wipe down with damp cloth or rub with dry cloth. Do not use an abrasive cloth as it may scratch the plastic.

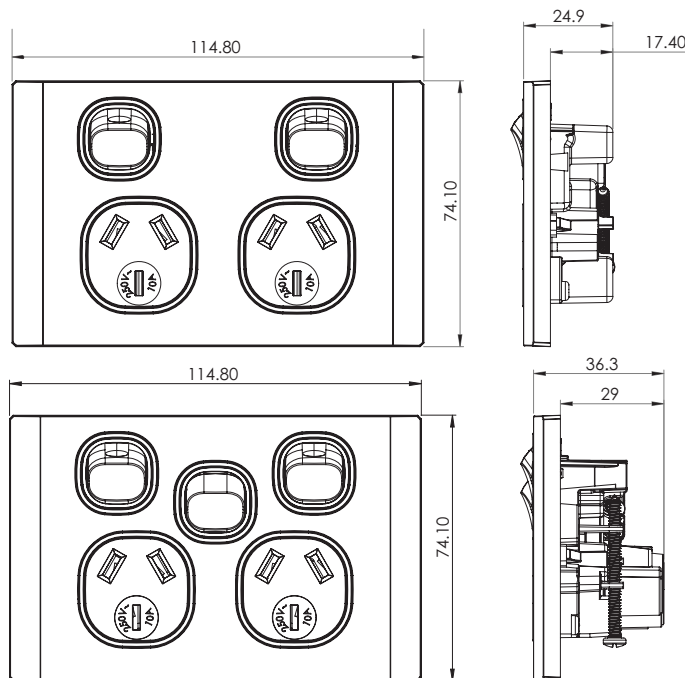
Do not use harsh chemical cleaners as these can break down the plastic and cause it to crack.

Do not wash the cover plates in water over 60°C.



Snow Leopard Range of Double Power Points

- Socket outlets approved to AS/NZS3112
- Fits standard Australian wall boxes and mounting accessories that use 84mm mounting centres
- Uses brass tunnel terminals that have the screws backed out for easier installation of cabling. Power point terminals have 6mm bore to suit 4 x 2.5mm² cable. Switch terminals have 4.1mm suit 4 x 1.5mm²
- Combination head screws for the socket terminals
- Uses 'Cat Flap' screw covers for IP rating mounting screws
- Dolly indicator colour green
- Covers, plates and dollies are made from UV stabilised polycarbonate to avoid discolouring to yellow
- Standard colour is white. Available in Black, White/Silver and Black/Silver - Please check availability.
- Typical example of size seen below:



Catalogue Number	Description
SNPP2GWW	Power Point Switched 2 Gang, 10A 250V~, White Cover, White Grid
SNPP152GWW	Power Point Switched 2 Gang, 15A 250V~, White Cover, White Grid
SNPPSW2GWW	Power Point Switched 2 Gang, 10A 250V~ with Removable Extra Switch 16AX/20A, White Cover, White Grid

ORDERING NOTES:

When ordering **BLACK/BLACK** product replace "WW" with "BB" at end of catalogue number, ie SNPP2GBB
 When ordering **BLACK/SILVER** product replace "WW" with "BS" at end of catalogue number, ie SNPP2GBS
 When ordering **WHITE/SILVER** product replace "WW" with "WS" at end of catalogue number, ie SNPP2GWS



MEERKAT Switch Mechanisms are used for all switch plates.
 Please refer to **MEERKAT Mech Matrix** for full range.

Certification Number:

GMA-103194-EA-009 / GMA-500348-EA / GMA-500349-EA

GSM Electrical (Australia) Pty Ltd

Level 2, 142-144 Fullarton Road, Rose Park SA 5067

P: 1300 301 838 F: 1300 301 778 E: service@g sme.com.au

www.g sme.com.au



Data Specification Sheet
 February 2020

SNSWV1GWW
 SNSWV2GWW
 SNSWV3GWW
 SNSWV4GWW
 SNSWV5GWW
 SNSWV6GWW
 SNSW1GWW
 SNSW2GWW
 SNSW3GWW
 SNSW4GWW
 SNSW5GWW
 SNSW6GWW
 SNSWPV1GWW
 SNSWPV2GWW
 SNSWPV3GWW
 SNSWPV4GWW
 SNSWPV5GWW
 SNSWPV6GWW
 SNSWPVXGWW

Available in Black, White/Silver and Black/Silver - see order code details in notes below table

*See current catalogue for further detail

Note: MESWC (previously LESWM) switch mechanism used in conjunction with Snow Leopard, Leopard and Cheetah plates

Cleaning Guide:

Spraying cleaning products directly on to electrical switches or power points (sockets) is not recommended.

It is important to ensure that switches are turned off before cleaning.

Do not use any cleaning sprays - only wipe down with damp cloth or rub with dry cloth. Do not use an abrasive cloth as it may scratch the plastic.

Do not use harsh chemical cleaners as these can break down the plastic and cause it to crack.

Do not wash the cover plates in water over 60°C.



Snow Leopard Range of Switch Plates

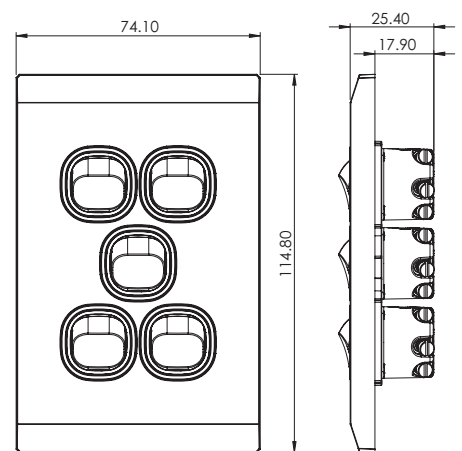
- Switches are rated 16AX/20A 250V~ and approved to AS/NZS60669-1
- Fits standard Australian wall boxes and mounting accessories that use 84mm mounting centres
- Uses brass tunnel terminals that have the screws backed out for easier installation of cabling. Switches are two way with looping terminal and suit 4 x 1.5mm² cabling with 4.1mm bore
- Slotted head screws for the terminals
- Uses 'Cat Flap' screw covers for IP rating or mounting screws
- Covers, plates and dollies are made from UV stabilised polycarbonate to avoid discolouring to yellow
- Standard colour is white. Available in Black, White/Silver and Black/Silver - Please check availability.
- Plates suit Trader Meerkat MESWC mechs, including TV and Data; and Clipsal 30 Style* mechs and accessories
- Horizontals are available by request
- Typical example of size seen below:



Example of cover plate only / grid and plate only (less mech)



Example of cover plate with MERJ6CM data mech installed



Catalogue No.	Description
SNSWV1GWW	Switch Vertical 1 Gang, 16AX/20A 250V~
SNSWV2GWW	Switch Vertical 2 Gang, 16AX/20A 250V~
SNSWV3GWW	Switch Vertical 3 Gang, 16AX/20A 250V~
SNSWV4GWW	Switch Vertical 4 Gang, 16AX/20A 250V~
SNSWV5GWW	Switch Vertical 5 Gang, 16AX/20A 250V~
SNSWV6GWW	Switch Vertical 6 Gang, 16AX/20A 250V~
SNSW1GWW	Switch Horizontal 1 Gang, 16AX/20A 250V~
SNSW2GWW	Switch Horizontal 2 Gang, 16AX/20A 250V~
SNSW3GWW	Switch Horizontal 3 Gang, 16AX/20A 250V~
SNSW4GWW	Switch Horizontal 4 Gang, 16AX/20A 250V~
SNSW5GWW	Switch Horizontal 5 Gang, 16AX/20A 250V~
SNSW6GWW	Switch Horizontal 6 Gang, 16AX/20A 250V~

Catalogue No.	Description
SNSWPV1GWW	Switch Plate Vertical 1 Gang (Less Mech)
SNSWPV2GWW	Switch Plate Vertical 2 Gang (Less Mech)
SNSWPV3GWW	Switch Plate Vertical 3 Gang (Less Mech)
SNSWPV4GWW	Switch Plate Vertical 4 Gang (Less Mech)
SNSWPV5GWW	Switch Plate Vertical 5 Gang (Less Mech)
SNSWPV6GWW	Switch Plate Vertical 6 Gang (Less Mech)
SNSWPVXGWW	Blank plate with clip on surround

The above catalogue numbers where "P" appears in number, refers to Cover Plate Only / Grid and Plate only (less mech)

* The Clipsal brand and associated products are Trademarks of Schneider Electric (Australia) Pty Ltd.

GSM Electrical (Australia) Pty Ltd, the TRADER brand and it's products, have no endorsement or affiliation with Schneider Electric Pty Ltd.

ORDERING NOTES:

When ordering **BLACK/BLACK** product replace "WW" with "BB" at end of catalogue number, ie SNPP2GBB
 When ordering **BLACK/SILVER** product replace "WW" with "BS" at end of catalogue number, ie SNPP2GBS
 When ordering **WHITE/SILVER** product replace "WW" with "WS" at end of catalogue number, ie SNPP2GWS



MEERKAT Switch Mechanisms are used for all switch plates. Please refer to **MEERKAT Mech Matrix** for full range.

Certification Number:
 GMA-507879-EA

GSM Electrical (Australia) Pty Ltd
 Level 2, 142-144 Fullarton Road, Rose Park SA 5067
 P: 1300 301 838 F: 1300 301 778 E: service@gsme.com.au
www.gsme.com.au





SNSWDPOV45WW SNSWDPOV45WWH

Also available in:

Black cover, Black grid
White cover, Silver grid
Black cover, Silver grid

See order code details
in notes below table

Cleaning Guide:

Spraying cleaning products directly on to electrical switches or power points (sockets) is not recommended.

It is important to ensure that switches are turned off before cleaning.

Do not use any cleaning sprays - only wipe down with damp cloth or rub with dry cloth. Do not use an abrasive cloth as it may scratch the plastic.

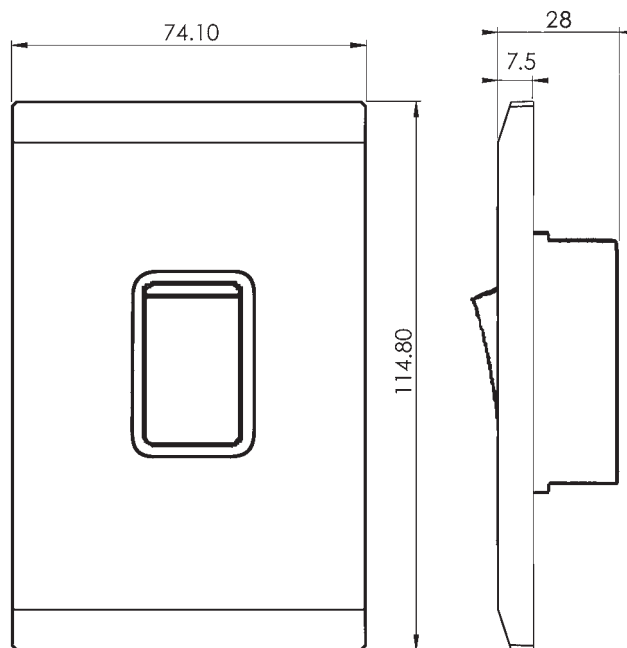
Do not use harsh chemical cleaners as these can break down the plastic and cause it to crack.

Do not wash the cover plates in water over 60°C.



Snow Leopard Oven Switches

- Switch approved to AS/NZS60669.1:2013
- 45A 250V~, Double Pole
- Includes looping terminals
- Terminal bore 5.8mm diameter
- Cover, plate and dolly is made from UV stabilised polycarbonate to avoid discolouring to yellow
- Standard colour is White. Available in Black, White/Silver and Black/Silver - Please check availability.



Catalogue Number	Description
SNSWDPOV45WW	Switch Oven 45A 250V~ Double Pole White Cover, White Grid
SNSWDPOV45WWH	Switch Oven 45A 250V~ Double Pole White Cover, White Grid Horizontal

ORDERING NOTES:

When ordering **BLACK/BLACK** product replace "WW" with "BB" at end of catalogue number, ie SNPP2GBB

When ordering **BLACK/SILVER** product replace "WW" with "BS" at end of catalogue number, ie SNPP2GBS

When ordering **WHITE/SILVER** product replace "WW" with "WS" at end of catalogue number, ie SNPP2GWS

Certification Number:

GMA-502679

GSM Electrical (Australia) Pty Ltd

Level 2, 142-144 Fullarton Road, Rose Park SA 5067

P: 1300 301 838 F: 1300 301 778 E: service@gsm.com.au

www.gsm.com.au

