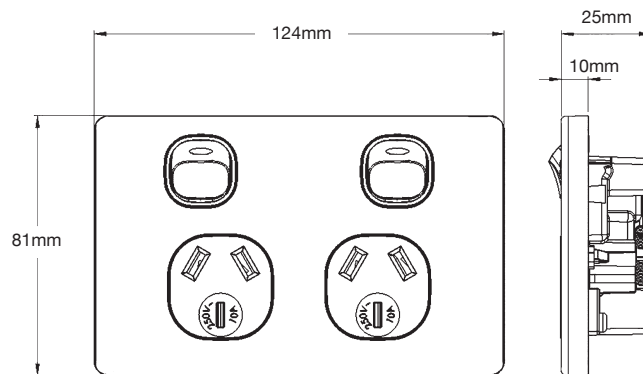


SENPP2G SENPP2GBK



Senoa Simple Double Power Point

- Socket outlets approved to AS/NZS 3112
- Wall plate 10mm thick to align with other Senoa products in the range.
- Glass look fascia to compliment Senoa range.
- Fits standard Australian wall boxes and mounting accessories that use 84mm mounting centres.
- Uses brass tunnel terminals with screws backed out for easier installation of cabling. Power point terminals have 6mm bore to suit 4 x 2.5mm² cable wire.
- Combination head screws for the socket terminals.
- Uses integral 'Cat Flap' screw covers for mounting screws.
- Green dolly indicator colour
- Covers plates are made from UV resistant polycarbonate
- Standard colour is White. Also available in Black.
When ordering BLACK product add "BK" at end of catalogue number, ie SENPP2GBK
- Typical example of size seen below:



Catalogue Number	Description
SENPP2G	Power Point Switched 2 Gang 10A 250V~ White
SENPP2GBK	Power Point Switched 2 Gang 10A 250V~ Black

When ordering BLACK product add "BK" at end of catalogue number, ie SENPP2GBK

Cleaning Guide:

Spraying cleaning products directly on to electrical switches or power points (sockets) is not recommended. It is important to ensure that switches are turned off before cleaning.

Do not use any cleaning sprays - only wipe down with damp cloth or rub with dry cloth. (Do not use an abrasive cloth as it may scratch the plastic). Do not use harsh chemical cleaners as these can break down the plastic and cause it to crack. Do not wash the cover plates in water over 60°C.

Certification Number:
TBC

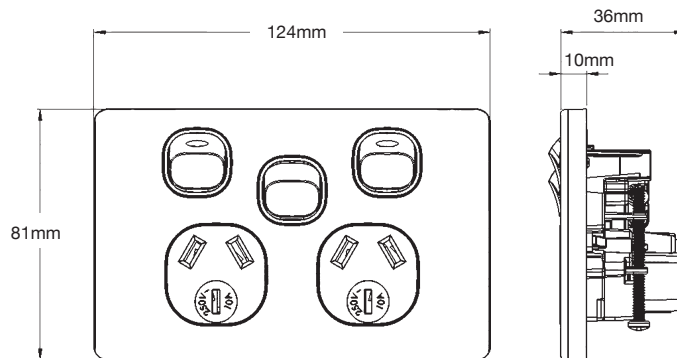
GSM Electrical (Australia) Pty Ltd
 Level 2, 142-144 Fullarton Road, Rose Park SA 5067
 P: 1300 301 838 F: 1300 301 778 E: service@gsme.com.au
www.gsme.com.au

**SENPPSW2G
SENPPSW2GBK**



Senoa Simple Double Power Points With Standard Rocker Switches & Removable Extra Switch

- Socket outlets approved to AS/NZS 3112. Switches approved to AS/NZS 60669-1.
- Wall plate 10mm thick to align with other Senoa products in the range.
- Glass look fascia to compliment Senoa range.
- Fits standard Australian wall boxes and mounting accessories that use 84mm mounting centres.
- Uses brass tunnel terminals that have the screws backed out for easier installation of cabling. Power point terminals have 6mm bore to suit 4 x 2.5mm² cable wire. Switch terminals have 4.1mm suit 4 x 1.5mm² cable wire.
- Combination head screws for the socket terminals.
- Uses integral 'Cat Flap' screw covers for mounting screws.
- Green dolly indicator colour
- Covers plates are made from UV resistant polycarbonate
- Standard colour is White. Also available in Black.
When ordering BLACK product add "BK" at end of catalogue number, ie SENPP2GBK
- Typical example of size seen below:



Catalogue Number	Description
SENPPSW2G	Power Point Switched 2 Gang 10A 250V~ with Removable Extra Switch White 10AX/16A
SENPPSW2GBK	Power Point Switched 2 Gang 10A 250V~ with Removable Extra Switch Black 10AX/16A

Cleaning Guide:

Spraying cleaning products directly on to electrical switches or power points (sockets) is not recommended. It is important to ensure that switches are turned off before cleaning.

Do not use any cleaning sprays - only wipe down with damp cloth or rub with dry cloth. (Do not use an abrasive cloth as it may scratch the plastic). Do not use harsh chemical cleaners as these can break down the plastic and cause it to crack. Do not wash the cover plates in water over 60°C.

When ordering BLACK product add "BK" at end of catalogue number, ie SENPPSW2GBK

Certification Number:
TBC

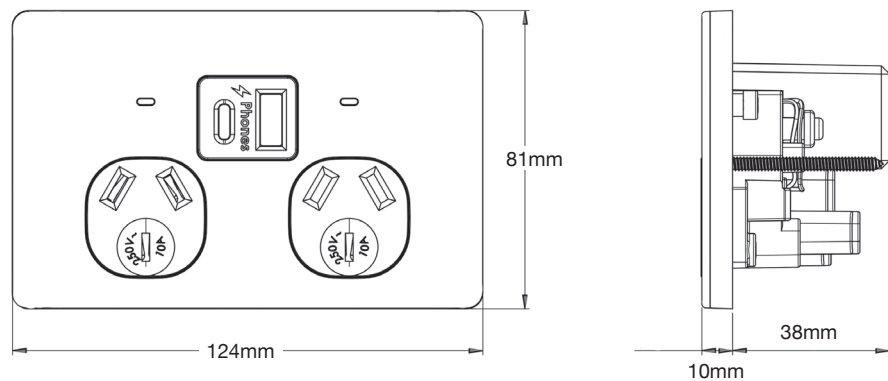
GSM Electrical (Australia) Pty Ltd
Level 2, 142-144 Fullarton Road, Rose Park SA 5067
P: 1300 301 838 F: 1300 301 778 E: service@gsme.com.au
www.gsme.com.au

SENPP2USBAU
SENPP2USBAUBK



Senoa Simple Power Point Auto Switched with Dual USB Charger (Type A & C)

- Product is approved in accordance with AS/NZS3112.
- USB outlets comply with AS/NZS61558.2.16:2010 A1-3.
- Wall plate 10mm thick to align with other Senoa products in the range.
- Glass look fascia to compliment Senoa range.
- Auto-Switched socket outlet activates/deactivates upon plug insertion/withdrawal.
- Sockets contains shutters activated from the neutral pin.
- Warm white LED indicators to show "power on" status.
- Fits standard mounting accessories with 84mm centres.
- Terminals suit 3 x 2.5mm² cable wire.
- The USB circuit is integrated and connected internally with the socket outlet so one set of terminals need wiring connection.
- Recommended for phone use or small tablets only, larger devices such as laptops with USB C connections may require outlets with greater output.
- Covers plates are made from UV resistant polycarbonate
- Standard colour is White. Also available in Black.
When ordering **BLACK** product add "BK" at end of catalogue number, ie **SENPP2USBAUBK**
- Typical example of size seen below:



Catalogue Number	Description
SENPP2USBAU	Power Point, 10A 250V~ Fully Integrated Dual USB Charger 3.4A 5V (Type A & C) Auto Switched White
SENPP2USBAUBK	Power Point, 10A 250V~ Fully Integrated Dual USB Charger 3.4A 5V (Type A & C) Auto Switched Black

When ordering **BLACK** product add "BK" at end of catalogue number, ie **SENPP2USBAUBK**

Cleaning Guide:

Spraying cleaning products directly on to electrical switches or power points (sockets) is not recommended. It is important to ensure that switches are turned off before cleaning.

Do not use any cleaning sprays - only wipe down with damp cloth or rub with dry cloth. (Do not use an abrasive cloth as it may scratch the plastic). Do not use harsh chemical cleaners as these can break down the plastic and cause it to crack. Do not wash the cover plates in water over 60°C.

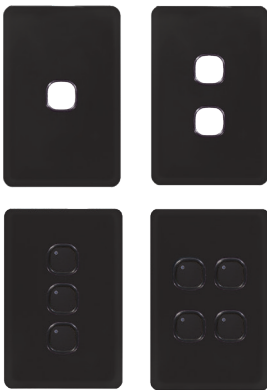
Certification Number:
TBC

GSM Electrical (Australia) Pty Ltd
Level 2, 142-144 Fullarton Road, Rose Park SA 5067
P: 1300 301 838 F: 1300 301 778 E: service@gsme.com.au
www.gsme.com.au

- SENSWPV1G
- SENSWPV1GBK
- SENSWPV2G
- SENSWPV2GBK
- SENSWPV3G
- SENSWPV3GBK
- SENSWPV4G
- SENSWPV4GBK



Images above show Senoa Simple plates using rocker mechs



Images above show Senoa Simple plates using push button mechs

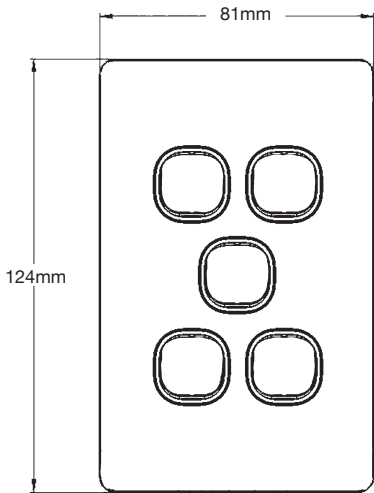
Cleaning Guide:

Spraying cleaning products directly on to electrical switches or power points (sockets) is not recommended. It is important to ensure that switches are turned off before cleaning.

Do not use any cleaning sprays - only wipe down with damp cloth or rub with dry cloth. (Do not use an abrasive cloth as it may scratch the plastic). Do not use harsh chemical cleaners as these can break down the plastic and cause it to crack. Do not wash the cover plates in water over 60°C.

Senoa Simple Switch Plates

- Switch plates only (less mechs)
- Plates can be fitted with Trader Meerkat MESWC 'cats eye' mechs, including TV and Data; and Clipsal 30 Style* mechs and accessories (see below to find product codes of Trader compatible mechs).
- Fits standard Australian wall boxes and mounting accessories that use 84mm mounting centres
- Uses integral 'Cat Flap' screw covers for mounting screws
- Covers plates are made from UV resistant polycarbonate
- Standard colour is White. Also available in Black.
 When ordering BLACK product add "BK" at end of catalogue number, ie SENSWPV1GBK
- Typical example of size in diagram:



Can be used with traditional rocker switch mechanisms or push button mechanisms

Catalogue Number	Description
SENSWPV1G	Switch Plate 1 Gang (Less Mech) White
SENSWPV2G	Switch Plate 2 Gang (Less Mech) White
SENSWPV3G	Switch Plate 3 Gang (Less Mech) White
SENSWPV4G	Switch Plate 4 Gang (Less Mech) White

When ordering BLACK product add "BK" at end of catalogue number, ie [SENSWPV4GBK](#)

MEERKAT

Meerkat Switch Mechanisms are recommended for rocker switch options in all switch plates

Product codes include: MESWC, MESWC20, MESWC32, MESWCDP20, and more.

See Meerkat Tech Data Sheets or visit gsme.com.au to view full product range and/or download information.

Meerkat Push Buttons recommended for use in switch plates:

MEPBPE [Push Button, Electronic On/Off Switch, 3-wire

MEPBWM [Push Button, Multi-Way Remote Dimming and On/Off

Dimpala Push Button Digital Dimmer recommended for use in switch plates:

DIMPBD [Dimpala Push Button Digital Dimmer, Trailing Edge]

Certification Number:

TBC

GSM Electrical (Australia) Pty Ltd

Level 2, 142-144 Fullarton Road, Rose Park SA 5067
 P: 1300 301 838 F: 1300 301 778 E: service@gsme.com.au
www.gsme.com.au

Switch (with Mechs)

Vertical Switches

SENSWV1G
 SENSWV1GBK
 SENSWV2G
 SENSWV2GBK
 SENSWV3G
 SENSWV3GBK
 SENSWV4G
 SENSWV4GBK

Horizontal Switches

SENSW1G
 SENSW1GBK
 SENSW2G
 SENSW2GBK
 SENSW3G
 SENSW3GBK
 SENSW4G
 SENSW4GBK

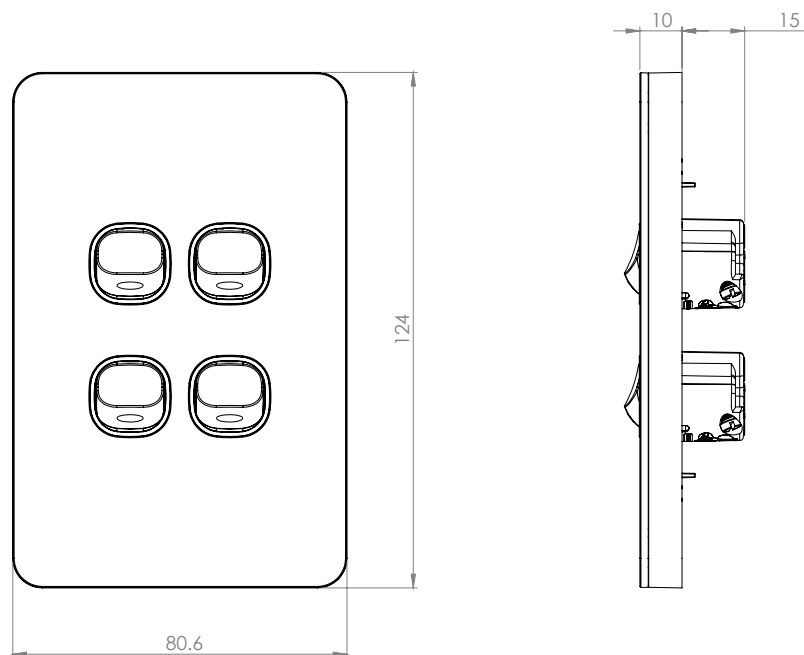
Cleaning Guide:

Spraying cleaning products directly on to electrical switches or power points (sockets) is not recommended. It is important to ensure that switches are turned off before cleaning.

Do not use any cleaning sprays - only wipe down with damp cloth or rub with dry cloth. (Do not use an abrasive cloth as it may scratch the plastic). Do not use harsh chemical cleaners as these can break down the plastic and cause it to crack. Do not wash the cover plates in water over 60°C.

Senoa Simple Switch

- Senoa Simple Switch have a glass look cover to compliment the Senoa Smart Switches.
- Fitted with Trader Meerkat Switch range.
- Switches are rated 16AX/20A 250V~ and approved to AS/NZS60669-1
- Uses brass tunnel terminals that have the screws backed out for easier installation of cabling.
- Fits standard Australian wall boxes and mounting accessories that use 84mm mounting centres
- Uses integral 'Cat Flap' screw covers for mounting screws
- Covers plates are made from UV resistant polycarbonate
- Standard colour is White. Also available in Black.
 When ordering BLACK product add "BK" at end of catalogue number, ie SENSWPV1GBK
- Typical example of size in diagram:



Catalogue Number	Description
SENSWV1G	Switch Glass Front Vertical 1 Gang 16AX/20A 250V
SENSWV2G	Switch Glass Front Vertical 2 Gang 16AX/20A 250V
SENSWV3G	Switch Glass Front Vertical 3 Gang 16AX/20A 250V
SENSWV4G	Switch Glass Front Vertical 4 Gang 16AX/20A 250V
SENSW1G	Switch Glass Front Horizontal 1 Gang 16AX/20A 250V
SENSW2G	Switch Glass Front Horizontal 2 Gang 16AX/20A 250V
SENSW3G	Switch Glass Front Horizontal 3 Gang 16AX/20A 250V
SENSW4G	Switch Glass Front Horizontal 4 Gang 16AX/20A 250V

When ordering BLACK product add "BK" at end of catalogue number, ie [SENSWPV4GBK](#)

Certification Number:

GMA-507879-EA

GSM Electrical (Australia) Pty Ltd

Level 2, 142-144 Fullarton Road, Rose Park SA 5067
 P: 1300 301 838 F: 1300 301 778 E: service@gsme.com.au
www.gsme.com.au