

## MHL-20FA



### Care and Cleaning

Always ensure the appliance has cooled completely before cleaning and maintenance.

- Always switch off the appliance and unplug it from the electrical socket and wait for it to cool down before cleaning. Ensure that the unit is cool enough to work on.
- Avoid contact with heat surface/parts.
- Use only a soft, damp cloth to clean the fan heater. Keep the fan heater clean.
- Never spray with liquids or submerge the appliance in water or any other liquid.
- Clean the air inlet/outlet grilles frequently. Do not allow any objects to enter air inlet or outlet as this may cause electric shock, fire or damage to the heater.
- Do not use harsh chemicals or solvents to clean this product and avoid using abrasive cleaning agents. Use a slightly dampened, lint-free cloth to clean this appliance.
- Store the appliance in its original box to protect it from dust in a dry place if it will not be used for a long period of time. Note: If the cordset of the appliance becomes damaged discontinue use.

**Warning: NEVER immerses the unit, power cord and plug in water or any liquid while cleaning and never allow water to drip into the appliance.**

# Mistral Industrial Heater

## 2000W 240V~

## Green & Black

The Mistral 2000W Industrial Heater features a green and black exterior that sits safely on free standing feet.

It is the perfect heater for workshops, garages, stores, etc to take the chill out of winter air.

It is operated by simply plugging into a standard 3-pin 10A socket and turning on the power heat switch. Designed to rapidly heat air, or if air-circulation only is required there is the option to select fan only. The thermostat dial also allows users to find the ideal heat setting.

Weighing only 3.5kg and supplied with a carry handle means it can easily be moved around to solve your heating needs.

For added peace of mind the heater is supplied fitted with tip over safety switch, overheat protection, protective grille, adjustable thermostat and IP24 waterproof rating.

### Features & Specifications:

- Heat setting: 2000W
- Overheating protection
- Adjustable thermostat
- Tip over safety switch
- Weatherproof: IP24
- Fan only mode
- Colour: Green & Black
- 1.5m lead and plug
- Max Current: 8.3A
- Voltage: 240V~
- Dimensions: 260 x 225 x 310mm
- Net Weight 3.5kg

Catalogue Number	Description
MHL-20FA	Mistral Industrial Heater 2000W 8.3A 240V~ Green

Distributed by:

**GSM Electrical (Australia) Pty Ltd**

Level 2, 142-144 Fullarton Road, Rose Park SA 5067

P: 1300 301 838 F: 1300 301 778 E: service@gsme.com.au

[www.gsme.com.au](http://www.gsme.com.au)

## MRH120E



### Care and Cleaning

- Before cleaning, ensure that the heater is switched in the off position and is unplugged from the socket.
- Clean the exterior surfaces of the heater with a dry, soft cloth.
- Never use any form of detergents or solvents to clean the heater.
- Never spray with liquids or submerge in liquids or water.
- DO NOT attempt to clean the interior of the heater.
- DO NOT ATTEMPT TO OPEN THE CASE OF THIS HEATER at any time. There are no consumer serviceable parts inside this unit.
- When the heater is stored during the off season, neatly wind the power cord around the base of the heater to prevent any damage to the power cord.

**Note: If the cordset of the appliance becomes damaged discontinue use.**

# Mistral Oscillating Radiant Heater 1200W 220-240V~

The Mistral 1200W Carbon Fibre Heater features a sleek tower silhouette, three heat settings, carry handle, safety switch and instant carbon fibre heating tubes.

It is the perfect heater for homes, offices, etc to take the chill away from cold environments.

It is operated by simply plugging into a standard 3-pin 10A socket and turning on the power heat switch. The 3-heat settings allow users to heat small to medium sized areas with ease whilst adjusting the temperature to your desired preference. By selecting the 'TURN' button, this will allow the heater to oscillate to provide heating to larger spaces.

Weighing only 3kg and supplied with a carry handle means it can easily be moved around to solve your heating needs.

For added peace of mind the heater is supplied fitted with tip over safety switch, overheat protection and protective grille.

### Features & Specifications:

- 3 Heat settings: 400W, 800W & 1200W
- Oscillating switch to heat larger ranges
- Overheating protection
- Tip over safety switch
- Colour: Black & Grey
- 1.5m lead and 10A plug
- Max Current 5.2A
- Voltage: 220-240V~
- Dimensions: 390 x 290 x 550mm
- Net Weight 3kg

Catalogue Number	Description
MRH120E	Mistral Oscillating Radiant Heater 1200W 220-240V~ Black and Grey

Distributed by:

**GSM Electrical (Australia) Pty Ltd**

Level 2, 142-144 Fullarton Road, Rose Park SA 5067

P: 1300 301 838 F: 1300 301 778 E: service@g sme.com.au

[www.gsme.com.au](http://www.gsme.com.au)

## MCHARGE14



### Cleaning Guide:

- Always disconnect the power cord from the mains before cleaning the fan.
- DO NOT disassemble any parts for cleaning
- Use a soft damp cloth to clean dust, then wipe thoroughly with a dry cloth.
- Never use polish or any corrosive liquid that will damage the paint, metal, or plastic
- Make sure all the parts are completely dry before plug in.
- Do not immerse any part of the fan in liquids

# Mistral 35cm Rechargeable Drum Fan

This practical drum fan has a metal stand and a 30 cm head with adjustable tilt.

Mistral 15,600mAh Rechargeable Battery-Operated Drum Fan, 12 Inch Portable 3-25 hours long-lasting fan with various speeds.

### Features & Specifications:

- Power: DC 24V 22W, with 15600mA lithium battery.
- Three (3) aluminum alloy blades.
- Pure copper brushed DC motor.
- Driven by high quality Lithium-ion battery.
- USB Charging out socket 5V DC.
- Stepless speed control.
- With LED battery gauge indicator.
- Tilt angle.
- With anti-slip rubber feet to ensure safety.
- Energy Saving, silent, strong wind power.
- With a handle, easy to move.
- 3-25 hours run time.
- AC/DC adaptor Included.
- Fan colour is Trader Green.
- Dimensions 480 (length) x 200 (width) x 460 (height).

Catalogue Number	Description
MCHARGE14	35cm Rechargeable Drum Fan

Distributed by:

**GSM Electrical (Australia) Pty Ltd**

Level 2, 142-144 Fullarton Road, Rose Park SA 5067

P: 1300 301 838 F: 1300 301 778 E: service@gsme.com.au

[www.gsme.com.au](http://www.gsme.com.au)

**MDB-30CF09**



**Cleaning Guide:**

- Always disconnect the power cord from the mains and ensure NO water is in the tank before cleaning the fan.
- Use a soft damp cloth to clean dust, then wipe thoroughly with a dry cloth.
- Never use polish or any corrosive liquid that will damage the paint, metal, or plastic
- Make sure all the parts are completely dry before re-assembly and plugging in.
- Re-assemble blades and lock the guard securely before use.
- Do not immerse any part of the fan in liquids

## Mistral 75cm Commercial Misting Fan

The outdoors during summer months are always the preferred place to relax, entertain, dine, and recharge though we are often forced inside when it gets too hot.

With the Mistral MDB-30CF09 misting fan, you are able to create a comfortable outdoor atmosphere to enjoy the summer months.

**Features & Specifications:**

- Height adjustable :1.65-2m.
- Blade diameter: 750mm.
- Grill diameter: 800mm.
- Motor:100% copper.
- Three (3) speed fan settings.
- Color of tank: black.
- Tank capacity: 49L.
- Drop the temperature: 2-8°C
- Spray effective distance: 10m
- Air flow:145m<sup>3</sup>/min.
- Water flow (adjustable): 0-5L/H
- Dimensions 800 (length) x 600 (width) x 2,060 (height).

Catalogue Number	Description
MDB-30CF09	75cm Commercial Misting Fan, 10 metre spray

Distributed by:

**GSM Electrical (Australia) Pty Ltd**  
Level 2, 142-144 Fullarton Road, Rose Park SA 5067  
P: 1300 301 838 F: 1300 301 778 E: service@gsme.com.au  
[www.gsme.com.au](http://www.gsme.com.au)

## MS9801



Accessories included:



Vent grille



Duct (125 x 3000mm)



Duct converter (125-150mm)



PUSW4GFLHH

Puma PUSW4G with labelled mechs;  
Fan, Light Heat, Heat

# Mistral 3-in-1 Bathroom Heater FAN/LIGHT/HEAT

The Mistral 3-in-1 Bathroom Heater is a stylish 4 Heat Lamp Ducted unit with light and ducted exhaust fan, that makes it ideal for use in bathrooms and ensuites. This unit has the flexibility of being able to instantly heat using the 4 x 275W heat lamps, extract the steam outside with its powerful motor and duct, or light up your room with its LED light.

### Features & Specifications:

- 4 x 275w heat lamps.
- Airflow: 200m<sup>3</sup>/h (ISO 5801 standard).
- 30W non ball bearing motor.
- 6W transparent LED globe centre.
- 125 x 3000mm aluminium ducting with vent grille.
- With duct converter (125-150mm).
- 320mm x 320mm square cut-out.
- Includes PUMA 4 Gang switch plate with labelled FAN, LIGHT, HEAT, HEAT switch mechs.

### Cleaning:

- Ensure the bathroom heater is switched off and cool down sufficiently before cleaning.
- Remove globes when they are at room temperature. Wipe with a damp cloth, never immerse.
- Unclip lamp surround and wash in warm soapy water. Always use a soft cloth, never abrasives.
- Clean away any excess fluff from the inside of the body, motor blade brackets.
- The exhaust fan requires regular cleaning to ensure optimum performance. With the power off, regularly wipe the fan clear of dust and dirt.
- Clean the exhaust ducting kit, ensuring there are no obstructions at the exit.

Catalogue Number	Description
MS9801	Mistral 3-in-1 Bathroom Heater - Fan, Light, Heat (4 x 275W) ducted unit

Distributed by:

**GSM Electrical (Australia) Pty Ltd**

Level 2, 142-144 Fullarton Road, Rose Park SA 5067

P: 1300 301 838 F: 1300 301 778 E: service@gsmc.com.au

[www.gsmc.com.au](http://www.gsmc.com.au)

## MAC007



### Care and Cleaning Guide:

#### NOTE:

Pull the mains plug out of the plug socket and allow the Airfryer Oven and accessories to cool down before doing any cleaning.

Surfaces could be damaged! Do not use any corrosive or abrasive cleaning agents or scouring sponges to clean the Airfryer Oven.

#### NOTE:

The construction of the door assembly allows for the removal of the internal Window pane to facilitate cleaning to ensure a clear view of the cooking chamber.

The internal Window pane can be removed by opening the door, grasping the raised rim of the window pane and sliding it out of the recess.

After cleaning, the window pane must be slid back in the door recess, you will hear a click when it is locked into correct position.

DO NOT operate the appliance at anytime without this window pane in place.

#### WARNING:

DO NOT try to operate the unit without the inner glass assembly fixing back.

Clean the main unit (1) and the used accessories immediately after each use. Do not allow food residues to dry on.

- DO NOT immerse the main unit and door in water or other liquids! DO NOT place them in the dishwasher! Clean them with a damp cloth and, if necessary, use a little detergent.
- Rinse all other used parts with detergent and warm water or in the dishwasher. In the case of stubborn dirt, we recommend soaking the accessories in warm water and detergent beforehand.
- Allow all parts to dry completely or dry them with a tea towel before plugging in.

#### WARNING:

Electric Shock Hazard!

Disconnect the power before cleaning the appliance.

Do not immerse the cord, plug or electric base in any liquid.

Failure to follow these instructions can result in death or electric shock.

# Mistral Air Fryer Digital Oven 16 Litre Multi-Function

The Mistral Air fryer provides an easy and healthier way of cooking your favourite foods, by applying rapid air circulation from all directions additional to a top grill and is able to cook a variety of dishes without adding any oil or adding just a little oil for nominated ingredients.

### Features:

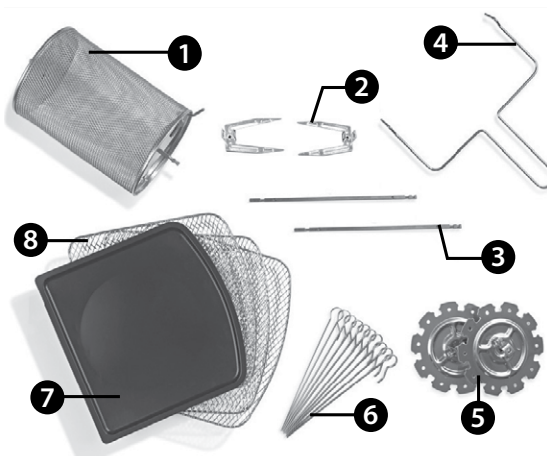
- 16 Litre Digital Air Fryer
- Air Fry, Roast, Grill, Bake and Dehydrate fruits and vegetables
- Multi Function all in one Air Fryer, Rotisserie, Oven and Dehydrator
- Adjustable timer and temperature control

### Technical Specs:

- Rated power input: 1800W
- Voltage and frequency: 220-240V AC, 50Hz
- Temperature settings: 65-200°C
- (Dehydrate: 45-85°C)
- Time settings: 1-60min (Dehydrate: 0.5-24h)
- Colour: White

### Accessories Included:

1. Rotating Mesh Basket (1x)
2. Rotating Rotisserie Fork with Locking Screws (2x)
3. Shafts (of the rotating rotisserie fork or rotating rotisserie skewers) (2x)
4. Rotisserie Removal Tool (1x)
5. Rack Wheels with Locking Screws (for Rotating Rotisserie Skewers) (2x)
6. Rotating Rotisserie Skewers (10x)
7. Oil Drip Tray (1x)
8. Air Flow Racks (3x)



Catalogue Number	Description
MAC007	Air Fryer Digital Oven 16 Litre Multi-Function

Distributed by:

**GSM Electrical (Australia) Pty Ltd**

Level 2, 142-144 Fullarton Road, Rose Park SA 5067

P: 1300 301 838 F: 1300 301 778 E: service@gsmc.com.au

www.gsme.com.au

**MA01021**



## Ceiling Exhaust Fan Expressaire Self-Closing 250mm

The Mistral Expressaire is a 320mm Ceiling Mounted Exhaust Fan that moves high volumes of air and has self-closing blades to shut out insects and prevent back drafts when the fan is switched off. It also has removable blades for easy cleaning and complies with the energy efficiency requirement of the Building Code of Australia (BCA).

### Features & Benefits:

- Mistral Axial Fan
- 6 Blades
- Air Movement 750m<sup>3</sup>/hr
- 40W AC Motor
- Dimensions: 320mm fascia,
- 290mm diameter cut-out
- Self-Closing Exhaust Fan Blades to keep out insects and prevent back draft when not in use
- Ball Bearing Motor
- Colour: White

### Cleaning Instructions

1. Cleaning (Ensure fan is unplugged or switched off at mains).
2. Remove fan blades by unscrewing central knob.
3. With gloves on, wash fan blade in warm/hot soapy water, rinse clean and dry fan blade.
4. Fan duct may be wiped down with moist soapy cloth.
5. Re-attach fan blades and secure central knob

Catalogue Number	Description
MA01021	Ceiling Exhaust Fan Expressaire Self-Closing 250mm

Distributed by:

**GSM Electrical (Australia) Pty Ltd**  
Level 2, 142-144 Fullarton Road, Rose Park SA 5067  
P: 1300 301 838 F: 1300 301 778 E: service@gsme.com.au  
[www.gsme.com.au](http://www.gsme.com.au)

## LIFH0130BD



### Care and Cleaning

Always ensure the appliance has cooled completely before cleaning and maintenance.

- Always switch off the appliance and unplug it from the electrical socket and wait for it to cool down before cleaning. Ensure that the unit is cool enough to work on.
- Avoid contact with heat surface/parts.
- Use only a soft, damp cloth to clean the fan heater. Keep the fan heater clean.
- Never spray with liquids or submerge the appliance in water or any other liquid.
- Clean the air inlet/outlet grilles frequently. Do not allow any objects to enter air inlet or outlet as this may cause electric shock, fire or damage to the heater.
- Do not use harsh chemicals or solvents to clean this product and avoid using abrasive cleaning agents. Use a slightly dampened, lint-free cloth to clean this appliance.
- Store the appliance in its original box to protect it from dust in a dry place if it will not be used for a long period of time. Note: If the cordset of the appliance becomes damaged discontinue use.

**Warning: NEVER immerses the unit, power cord and plug in water or any liquid while cleaning and never allow water to drip into the appliance.**

# Mistral Heater Industrial 1200/2400W with Worklight 10W LED

The Mistral 2400W Industrial Heater is fully portable, with sturdy base, features a red and black exterior and an industrial design.

It is best suited for use in workshops, garages stores, etc. It is operated by placing the heater on a level surface and simply plugging into a standard 3-pin 10A socket and turning on the Heating & Work light Power Switch Setting.

Designed to rapidly heat air, or if air-circulation only is required there is the option to select fan only. The thermostat dial also allows users to find the ideal heat setting.

The 10W LED Work light can be turned ON or OFF anytime by pressing the rocker switch at the back of the heater.

The industrial heater supplied with a carry handle means it can easily be moved around to solve your heating needs.

For added peace of mind the heater is supplied fitted with tip over safety switch, overheat protection, protective grille, adjustable thermostat and IP24 waterproof rating.

### Features & Specifications:

- 2 Heat settings: 1200W/2400W
- Adjustable thermostat
- Overheat protection
- Tip-over switch
- Carry handle
- 10W LED light

### Dimensions:

350mm (L) x 258mm (W) x 480mm (H)

Catalogue Number	Description
LIFH0130BD	Mistral Heater Industrial 1200/2400W with Worklight 10W LED

Distributed by:

**GSM Electrical (Australia) Pty Ltd**

Level 2, 142-144 Fullarton Road, Rose Park SA 5067

P: 1300 301 838 F: 1300 301 778 E: service@gsme.com.au

[www.gsme.com.au](http://www.gsme.com.au)



## MIF-30A



### Care and Cleaning

Always ensure the appliance has cooled completely before cleaning and maintenance.

- Always switch off the appliance and unplug it from the electrical socket and wait for it to cool down before cleaning. Ensure that the unit is cool enough to work on.
- Avoid contact with heat surface/parts.
- Use only a soft, damp cloth to clean the fan heater. Keep the fan heater clean.
- Never spray with liquids or submerge the appliance in water or any other liquid.
- Clean the air inlet/outlet grilles frequently. Do not allow any objects to enter air inlet or outlet as this may cause electric shock, fire or damage to the heater.
- Do not use harsh chemicals or solvents to clean this product and avoid using abrasive cleaning agents. Use a slightly dampened, lint-free cloth to clean this appliance.
- Store the appliance in its original box to protect it from dust in a dry place if it will not be used for a long period of time. Note: If the cordset of the appliance becomes damaged discontinue use.

**Warning: NEVER immerses the unit, power cord and plug in water or any liquid while cleaning and never allow water to drip into the appliance.**

# Mistral Heater Industrial Ceramic 1200/2400W

The Industrial Ceramic Heater features a red and black exterior that sits on free standing feet. It is the perfect heater for workshops, garages, stores, etc.

It is operated by simply plugging into a standard 3-pin 10A socket and turning on the power heat switch setting. Designed to rapidly heat air, or if air-circulation only is required there is the option to select fan only. The thermostat dial also allows users to find the ideal heat setting.

The Industrial Ceramic Heater is supplied with a carry handle thus can easily be moved around to solve your heating needs. For added peace of mind the heater is supplied fitted with tip over safety switch, overheat protection, protective grille, and adjustable thermostat.

### Features & Specifications:

- 2 Heat settings: 1200/2400W
- Adjustable thermostat
- Over-heat protection
- Metal housing
- Tip-over Switch
- Carry handle

### Dimensions:

240mm (L) x 200mm (W) x 290mm (H)

Catalogue Number	Description
MIF-30A	Heater Industrial Ceramic 1200/2400W

Distributed by:

**GSM Electrical (Australia) Pty Ltd**

Level 2, 142-144 Fullarton Road, Rose Park SA 5067

P: 1300 301 838 F: 1300 301 778 E: service@gsme.com.au

[www.gsme.com.au](http://www.gsme.com.au)

## ML9801



Accessories included:



Vent grille



Duct (125 x 3000mm)



Duct converter (125-150mm)



PUSW3GLFH  
Puma PUSW3G with labelled mechs;  
Light, Fan, Heat

# Mistral 3 IN 1 FAN/LIGHT/HEATER 2 lamp version with PUSW3GLFH switch plate

The Mistral 3-in-1 Bathroom Heater is a stylish 2 Heat Lamp Ducted unit with light and ducted exhaust fan, that makes it ideal for use in bathrooms and ensuites. This unit has the flexibility of being able to instantly heat using the 2 x 275W heat lamps, extract the steam outside with its powerful motor and duct, or light up your room with its LED light.

### Features & Specifications:

- 2 x 275W Heat Lamps
- 200m<sup>3</sup>/Hr Exhaust Fan Air Movement
- Energy Efficient 6W, E27 LED Globe
- 3 Metre Aluminium Duct
- Overheat Protection
- Exterior Vent
- Cut Out Hole: 370 x 202mm
- Maximum Ceiling Clamp Depth 30mm
- Includes PUMA 3 Gang switch plate with labelled mechs: Light, Fan, Heat

### Cleaning:

- Ensure the bathroom heater is switched off and cool down sufficiently before cleaning.
- Remove globes when they are at room temperature. Wipe with a damp cloth, never immerse.
- Unclip lamp surround and wash in warm soapy water. Always use a soft cloth, never abrasives.
- Clean away any excess fluff from the inside of the body, motor blade brackets.
- The exhaust fan requires regular cleaning to ensure optimum performance.
- With the power off, regularly wipe the fan clear of dust and dirt.
- Clean the exhaust ducting kit, ensuring there are no obstructions at the exit.

Catalogue Number	Description
ML9801	3 IN 1 FAN/LIGHT/HEATER 2 lamp version with PUSW3GLFH switch plate

Distributed by:

**GSM Electrical (Australia) Pty Ltd**  
Level 2, 142-144 Fullarton Road, Rose Park SA 5067  
P: 1300 301 838 F: 1300 301 778 E: service@gsme.com.au  
[www.gsme.com.au](http://www.gsme.com.au)

**MIRHL001**



## Mistral Instant Radiant Heater and Light 275W

The Mistral 275W Instant Radiant Heater and Light unit can be mounted in any room that requires instant, direct, and radiant heat to ward off winter chills.

It is ideal for bathrooms, ensuites, toilets, dressing & change rooms and provides instant, concentrated heat to persons standing directly below the heat lamp.

Because of its efficient, radiant heat globe, the unit requires no warmup period.

Turn it ON when you are in the room and it will provide an instant warmth you can feel.

### Features & Specifications:

- Flush Mount Design
- 1 x 275W Heat Globe
- Cut Out Hole:160 mm
- Instant, efficient, direct heat

### Dimensions:

175 (L) X 175 (W) X 193 (H)

### Warning:

Ensure mounting instructions are clearly followed.

### Care and Cleaning

- Ensure the heater is switched off and cool down sufficiently before cleaning.
- Remove globe when they are at room temperature. Wipe with a damp cloth, never immerse.
- Unclip lamp surround and wash in warm soapy water. Always use a soft cloth, never abrasives.
- Never use any form of detergents or solvents to clean the heater.
- Never spray with liquids or submerge in liquids or water.
- DO NOT attempt to clean the interior of the heater.

**Note: If the cordset of the appliance becomes damaged discontinue use.**

Catalogue Number	Description
MIRHL001	Instant Radiant Heater and Light 275W

Distributed by:

**GSM Electrical (Australia) Pty Ltd**

Level 2, 142-144 Fullarton Road, Rose Park SA 5067

P: 1300 301 838 F: 1300 301 778 E: service@gsme.com.au

[www.gsme.com.au](http://www.gsme.com.au)

# *mistral*<sup>®</sup>

**Model Number: MO608B**  
**Model Name: 60cm Built In Electric Oven**

**Features:**

- 65L Oven Capacity
- 8 Functions Including Fan Forced
- 3 Layer Reflective Glass Door

**Product Size: 595 x 614 x 595mm**

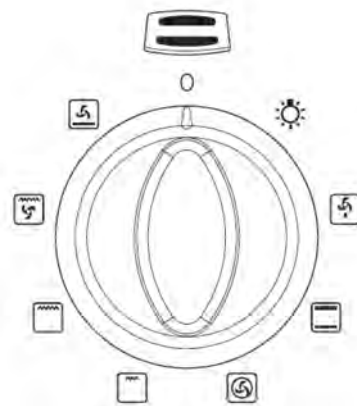
**Packaging: Brown Box**  
**660 x 650 x 645mm**

**Weight: 34kg**

**Warranty: 2 Year In Home**



**Product Description:** Enhance your kitchen, with the Mistral 60cm Built In Electric Oven. This unit features a 65L capacity, 8 functions and a sleek black finish. Enough room to accommodate for family meals, offering great functionality in your kitchen.



GSMRetailGroup • admin@gsmretailgroup.com  
1300 373 199

Approval Number: GMA-502245-EA

# *mistral*<sup>®</sup>

**Model Number: MCC604TG**  
**Model Name: 60cm Ceramic**  
**Sensor Touch Cooktop**

**Features:**

- 4 Zones
- Touch Sensor Controls
- 30 Amp Hard Wired

**Product Size: 580 x 510 x 55mm**

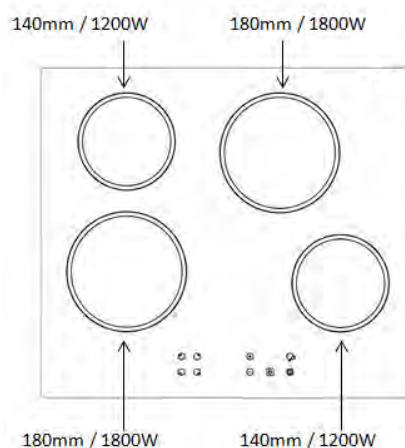
**Packaging: Brown Box**  
**675 x 605 x 120mm**

**Weight: 9kg**



**Warranty: 2 year In Home**

**Product Description:** The Mistral 60cm Ceramic Cooktop contains 4 heating zones, 9 stage power settings, sensor touch controls, residual heat display and safety features such as child lock and automatic safety switch off. This sleek cooktop will make your kitchen stand out from the crowd.



**GSMRetailGroup • admin@gsmretailgroup.com**  
**1300 373 199**

**Approval Number: GMA-502249-EA**

# *mistral*<sup>®</sup>

**Model Number: MR60WSOUT**  
**Model Name: 60cm White Slide Out Rangehood**

**Features:**

- **Stainless Steel Fascia**
- **3 Speed Fan**
- **10 Amp Plug In**

**Product Size: 600 x 280 x 176mm**

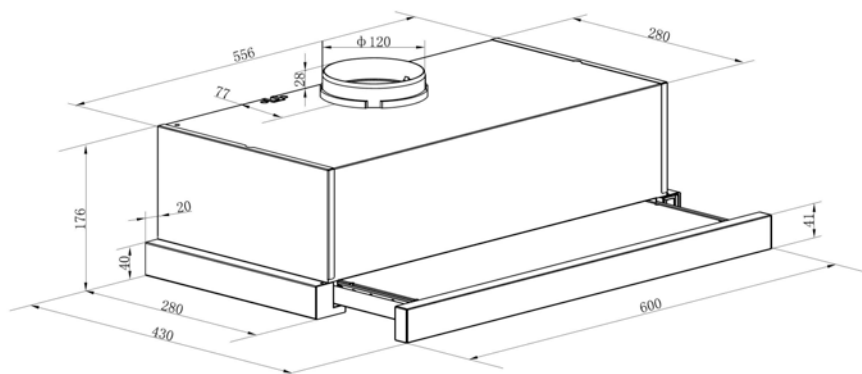
**Packaging: Brown Box**  
**225 x 355 x 655mm**

**Weight: 6.5kg**

**Warranty: 2 Year In Home**



**Product Description:** The Mistral Stainless Steel Slide Out Rangehood is a functional and stylish kitchen appliance that effectively removes cooking fumes, smoke and vapours. With a powerful twin motor, convenient 3 speed switch operation, this model is both quiet and easy, making it the perfect choice for your kitchen.



GSMRetailGroup • admin@gsmretailgroup.com  
1300 373 199

Approval Number: GMA-504414-EA

# *mistral*<sup>®</sup>

**Model Number: MBF117W**  
**Model Name: 121L Bar Fridge**

**Features:**

- 121L Capacity
- MEPS 2 Star Energy Rating
- Reversible Door

**Product Size: 500 x 560 x 840mm**

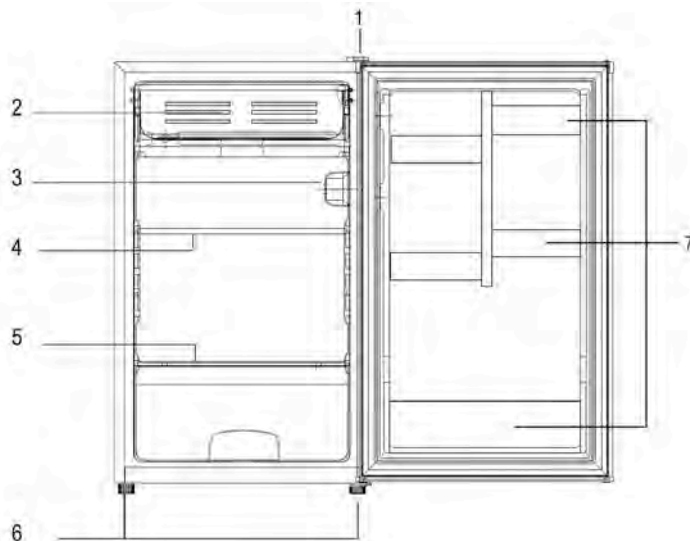
**Packaging: Brown Box**  
**504 x 567 x 855mm**

**Weight: 23kg**

**Warranty: 12 Month Replacement**  
**/ Exchange**



**Product Description: The Mistral Bar Fridge is the perfect addition to your home. The 121L bar fridge features a vegetable crisper, tempered glass shelves and an adjustable thermostat.**



1. Door Hinge
2. Chiller Compartment
3. Thermostat Control
4. Adjustable Shelf
5. Small Glass Shelf
6. Leveling Feet
7. Door Bin

# *mistral*<sup>®</sup>

**Model Number: MCFH98**  
**Model Name: 98L Chest Freezer**

**Features:**

- Power Indicator Function
- Mechanical Temperature Control
- Front Drain Hole

**Product Size: 545 x 478 x 851mm**

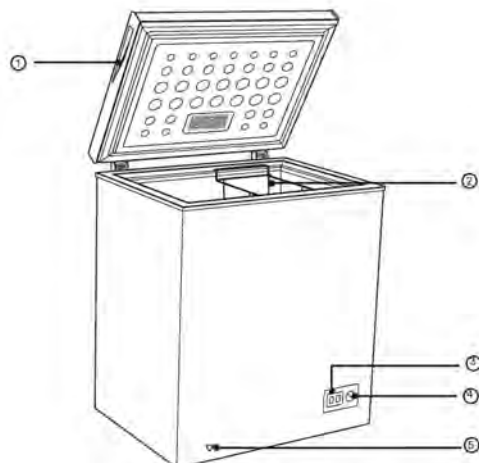
**Packaging: Brown Box**  
**575 x 495 x 890mm**

**Weight: 21kg**

**Warranty: 12 Month Replacement**  
**/ Exchange**



**Product Description: The Mistral 98L Chest Freezer allows you to conveniently store any bulky frozen items. Freeing up space in your domestic kitchen freezer.**



1. Recessed Handle
2. Basket
3. Indicator Light
4. Thermostat
5. Drain Hole



# *mistral*<sup>®</sup>

**Model Number: MWM710FL**  
**Model Name: 7kg Front Load**  
**Washing Machine**

**Features:**

- 10 Programs
- 18 Min Quick Wash
- Overflow Control

**Product Size: 595 x 410 x 845mm**

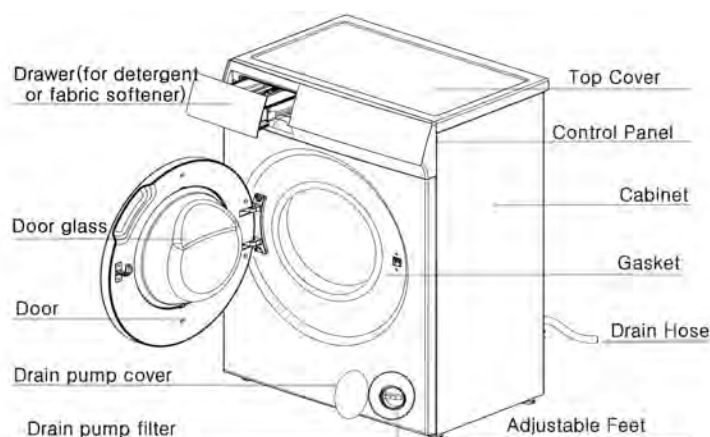
**Packaging: Brown Box**  
**650 x 462 x 890mm**

**Weight: 52kg**

**Warranty: 2 Year Replacement**



**Product Description:** The Mistral front load washing machine with electronic control and LED indicator allows up to 7kg of washing capacity. It offers 10 different wash programs to suit your requirements, including a useful 18-minute quick wash. Water consumption: 85L per wash.



# mistral<sup>®</sup>

**Model Number: BTDG7W**  
**Model Name: 7kg Tumble Dryer**

**Features:**

- 15 Programs
- Max Spin Speed 52 - 58 RPM
- Anti Crease Function

**Product Size: 595 x 555 x 850mm**

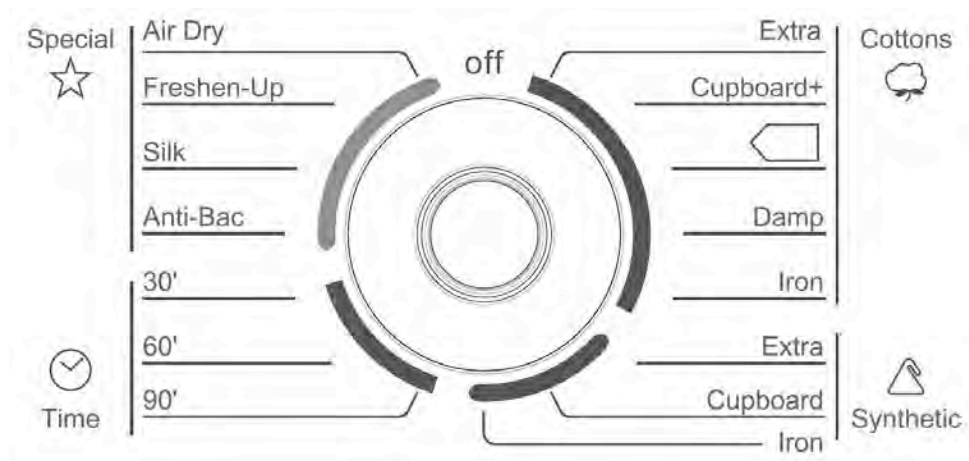
**Packaging: Brown Box**  
**655 x 575 x 885mm**

**Weight: 30kg**

**Warranty: 2 Year Replacement**



**Product Description: The Mistral Tumble Dryer with electronic control and LED indicator allows up to 7kg of drying capacity and features 15 different drying programs to suit a variety of laundry requirements, including a delay timer 3/6/12Hr.**



GSMRetailGroup • admin@gsmretailgroup.com  
 1300 373 199

# *mistral*<sup>®</sup>

**Model Number: MBF851**

**Model Name: 203cm DC**

**Ceiling Fan Black**

**Features:**

- 8 Aluminium Blades
- Full Function Remote Control
- 40cm DC Motor



**Product Size: 2030 x 2030 x 348mm**

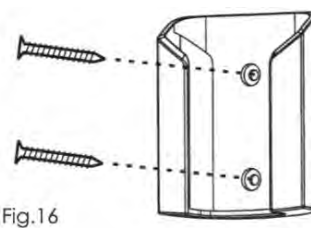
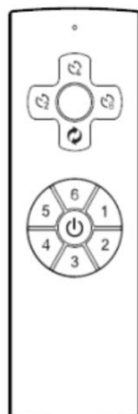
**Packaging: Colour Box**

**377 x 355 x 1015mm**

**Weight: 11kg**

**Warranty: 2 Years**

**Product Description: The Mistral 203cm DC Ceiling Fan has a sleek and stylish design that will suit any household. It features 8 Aluminium blades, full function remote control and a 40cm DC Motor.**



# *mistral*<sup>®</sup>

**Model Number: MKM2200**  
**Model Name: Smart Intelli**  
**Kitchen Machine**

**Features:**

- 8 Automatic Programs
- Large 7" Touch Screen
- Built in Wi-Fi Connectivity

**Product Size: 402 x 380 x 477mm**

**Packaging: Colour Box**  
**319 x 460 x 577mm**

**Weight: 8.1kg**

**Warranty: 12 Months**



**Product Description:** The Smart Intelli Kitchen Machine is an essential kitchen gadget. With a 7-inch touch screen display, users are able to select 130+ pre-set recipes to make cooking more convenient. It features Wi-Fi and Bluetooth connectivity, a large 3L internal capacity, removable mixing attachments and adjustable timer.



GSMRetailGroup • admin@gsmretailgroup.com  
1300 373 199

Approval Number:

# *mistral*<sup>®</sup>

**Model Number: MIM12S**  
**Model Name: Ice Maker**

**Features:**

- 2L Capacity
- Produces 12kg in 24 hours
- 2 Different Sized Cubes

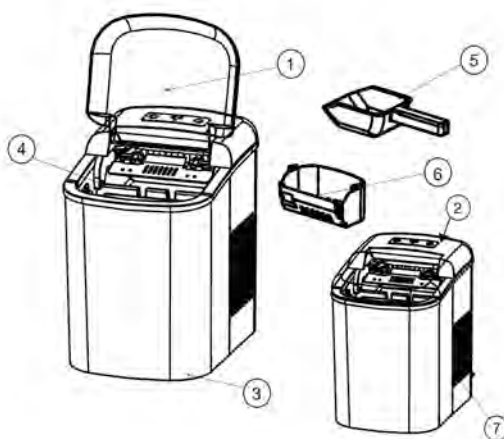
**Product Size: 227 x 334 x 313mm**

**Packaging: Brown Box**  
**260 x 336 x 373mm**

**Warranty: 12 Months**



**Product Description:** The Mistral Ice Maker is the perfect addition to your kitchen. Featuring a large transparent window for easy viewing and a 2L capacity. With the ability to make up to 12kg of ice in 24 hours, in your choice of two different size cubes, you'll never run out of ice again!



1. Cover
2. Control Panel
3. Water Drain Cap
4. Ice Full Sensor
5. Ice Scoop
6. Ice Basket
7. Air Outlet

## MAF919V



### Care and Cleaning

Note: Strongly recommend to position the appliance on heat resistant surface or mat.

Note: Remove the power plug from the wall socket and allow the appliance to cool down completely before cleaning. Clean it after every use.

- Do not immerse the housing in water or any liquid when you clean the appliance.
- Caution: Care must be taken not to touch any hot surfaces.
- Caution: Do not use harsh abrasives, caustic cleaners or oven cleaners when cleaning this appliance. This could cause damage to the appliance.

Please follow the Care & Cleaning Instructions in accordance to the Use & Care guide supplied.

## Mistral 6.6 Litre Digital Air Fryer

### Features:

- Hot air technology for healthier frying
- 6.6 Litre capacity
- LED digital control with touch sensor panel
- Adjustable temperature control 80-200°C
- 10 dedicated preset cooking functions
- 60-minute timer
- "FLIP" indicator with beeper – food is halfway through cooking and needs to be checked / flipped / shaken
- Easy to clean detachable non-stick basket with rack
- 1600 Watts
- 12 Month Warranty

### Product Dimensions:

- 371 (L) x 284 (W) x 322 (H) mm

Catalogue Number	Description
MAF919V	Mistral Air Fryer, Digital 6.6 Litre Stainless Steel, LED digital control with touch sensor panel, 10 dedicated preset functions, easy to clean

Distributed by:

**GSM Electrical (Australia) Pty Ltd**

Level 2, 142-144 Fullarton Road, Rose Park SA 5067

P: 1300 301 838 F: 1300 301 778 E: service@gsm.com.au

[www.gsm.com.au](http://www.gsm.com.au)

## MMW958V



### Care and Cleaning

Warning: Be sure to unplug the appliance from the power supply.

- Clean the cavity of the oven after using with a slightly damp cloth.
- Clean the accessories in the usual way in soapy water.
- The door frame and seal and neighbouring parts must be cleaned carefully with a damp cloth when they are dirty.
- Do not use harsh abrasive cleaners or sharp metal scrapers to clean the oven door glass since they can scratch the surface, which may result in shattering of the glass.

Please follow the Care & Cleaning Instructions in accordance to the Use & Care guide supplied.

# Mistral 20 Litre Digital Microwave Oven

### Features:

- Digital control with LED display
- 99:99 minutes timer setting
- 6 Auto cooking menus
- 11 Microwave power levels
- Defrost setting
- Child safety Lock
- 650-700W Microwave power
- 12 Month Warranty

### Product Dimensions:

440 (L) x 328 (W) x 259 (H) mm

Catalogue Number	Description
MMW958V	Mistral Microwave Oven, 20L Digital Microwave Oven, 700 Watts, 6 Auto Cooking Menus + 11 Microwave Power Levels

Distributed by:

**GSM Electrical (Australia) Pty Ltd**

Level 2, 142-144 Fullarton Road, Rose Park SA 5067

P: 1300 301 838 F: 1300 301 778 E: service@gsme.com.au

[www.gsme.com.au](http://www.gsme.com.au)

## MK980V



### Care and Cleaning

Before cleaning, turn off the power outlet and unplug the power cord. Wait for the kettle to cool before cleaning it.

- Wipe the exterior of the kettle with a soft, damp cloth or sponge.
- Remove stubborn spots using a cloth moistened with mild detergent. Do not use steel wool or abrasive cleaners. Do not put detergents or cleaning agents in the kettle.
- Do not leave the kettle in direct sunlight as doing so may affect the quality of its finish.
- Removing Calcium Deposits: In order to maintain the performance of your kettle, it is important to remove built-up deposits inside the kettle.

Please follow the Care & Cleaning Instructions in accordance to the Use & Care guide supplied.

# Mistral 1.7 Litre Cordless Kettle

### Features:

- One-touch, push button opening lid
- 360° cordless power base
- Illuminated on/off switch
- Easy-view water window
- Removeable water filter
- 12 Month Warranty

### Product Dimensions:

217 (L) x 155 (W) x 245 (H) mm

Catalogue Number	Description
MK980V	Mistral Cordless Kettle, 1.7 Litre, Touch Push Button, Opening Lid 360° Cordless Power Base

Distributed by:

**GSM Electrical (Australia) Pty Ltd**  
 Level 2, 142-144 Fullarton Road, Rose Park SA 5067  
 P: 1300 301 838 F: 1300 301 778 E: service@gsme.com.au  
[www.gsme.com.au](http://www.gsme.com.au)



## MT981V



### Care and Cleaning

Turn off the power outlet and unplug the toaster before cleaning, ensuring that the toaster has cooled down.

- Wipe over the exterior of the Toaster and power cord with a soft damp sponge or cloth.

Do not use abrasives or strong household cleaners, as they will damage the brushed chrome finish.

- The crumb trays need to be cleaned occasionally.

**Warning: Do not immerse the toaster, power plug or cord in water.**

**Note: Do not try to clean the inside of the Toaster, as this may damage the heating elements. Water and liquids must never enter the Toaster.**

Please follow the Care & Cleaning Instructions in accordance to the Use & Care guide supplied

## Mistral 2 Slice Toaster

### Features:

- Adjustable browning control with 6 settings
- Cancel function
- Slide out crumb tray for easy cleaning
- 12 Month Warranty

### Product Dimensions:

250 (L) x 145 (W) x 167 (H) mm

Catalogue Number	Description
MT981V	Mistral Toaster, 2 Slice, Adjustable Browning Control Stainless-Steel Trim Decorative

Distributed by:

**GSM Electrical (Australia) Pty Ltd**

Level 2, 142-144 Fullarton Road, Rose Park SA 5067

P: 1300 301 838 F: 1300 301 778 E: service@gsme.com.au

[www.gsme.com.au](http://www.gsme.com.au)

## MVC039V



### Care and Cleaning

Warning: Don't let water enter into the motorized brush head as there are electrical terminations contained within and may irreparably damage.

- Use a damp cloth to wipe of any dirt deposits from the external brush head enclosure if need arises.
- Do not use abrasive cleaning agents (scouring agents, diluting agents) because they can damage the synthetic surface of the device.
- In order to achieve the best performance, empty the dust cup and clean filter filter after each use.

Note: After long period using, the bristle may be jammed by hair or something similar, need to clean it in time in order to make the machine work efficiently.

Please follow the Care & Cleaning Instructions in accordance to the Use & Care guide supplied.

# Mistral Handstick Vacuum Cleaner

### Features:

- Easy to convert handheld or extendable design
- Detachable battery for flexible charging
- 20 minutes run time on high mode
- Motorised brush with LED lights
- Powerful 22.2V Lithium-ion battery
- Bagless cyclonic system
- Up to 5 hour recharge
- 0.8 Litre dust cup
- 2 speed settings
- Washable HEPA filter
- Includes crevice tool, 2-in-1 dusting brush and wall mount
- 12 Month Warranty

### Product Dimensions:

250 (L) x 225 (W) x 1080 (H) mm



Removable back, wall mount, crevice tool, and dusting brush.



Catalogue Number	Description
MVC039V	Mistral Vacuum Cleaner, Handstick, handheld or extendable design

Distributed by:

**GSM Electrical (Australia) Pty Ltd**

Level 2, 142-144 Fullarton Road, Rose Park SA 5067

P: 1300 301 838 F: 1300 301 778 E: service@gsme.com.au

[www.gsme.com.au](http://www.gsme.com.au)