



Dual USB Fully Integrated Power Points

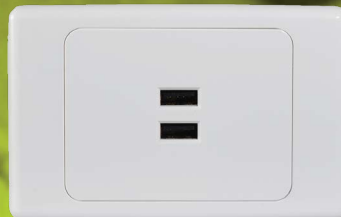
The USB with Grunt

Order Code

- COPP2USB2G
- COPP2USB2GBK
- COUSB2G
- COUSB4G



COPP2USB2G ALSO AVAILABLE IN BLACK PLEASE CHECK FOR AVAILABILITY



COUSB2G



COPP2USB2G



COUSB4G



COPP2USB2GBK



ALSO CHECK OUT PUMA USB RANGE



COUGAR™

Another range extension from Trader, the Cougar USB Integrated range is ready for use by Australian Electrical Contractors.

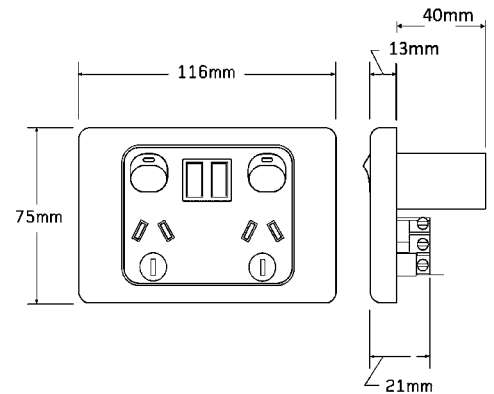
USB Charging in everyday Australian life is now not a luxury but an expectation and the Cougar USB Integrated range is an excellent 'all in one' solution for charging phones, tablets, cameras, fit bands, smart watches and various other USB compatible devices. USB's need to be located in all spots where we work and play – kitchens, bedrooms, lounge-rooms, offices, hotels and clubs, public places, retail stores, the list goes on. Anywhere you can think of where people need to get charged in their time of need.

The COPP2USB2G, COUSB2G and COUSB4G are the perfect solution for your next residential, commercial or community installation.

COPP2USB2G / COPP2USB2GBK

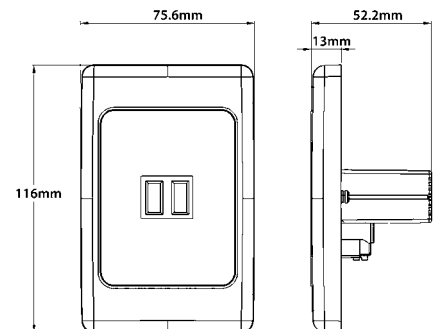
Dual switched integrated power point outlet rated at 10A with twin USB sockets for power supply that is ideal for living areas, kitchens, bedrooms, hotels, libraries and waiting areas.

- The rating for the USB is 3.4A at 5V when one device is inserted then it divides to 1.7A at 5V when a device is inserted in each USB sockets.
- Surface mount kit is also available for applications where access into the wall is difficult.
- USB power supply contains temperature cut out and overload protection.
- Standard colour is white. *Black also stocked (please check availability).*



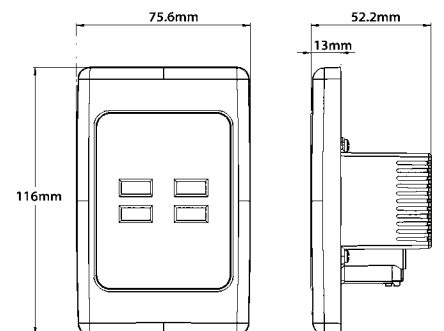
COUSB2G

- The rating for the USB is 3.4A at 5V when one device is inserted then it divides to 1.7A at 5V when a device is inserted in each.
- USB socket power supply contains temperature cut out and overload protection.



COUSB4G

- This product contains two groups of USB power supplies rated at 3.1A, 5V when one device is inserted. Then it divides when a device is inserted in each USB socket - This is capable of providing 3.1A to two devices when USB ports horizontal to each other are selected.
- USB power supply contains temperature cut out and overload protection.



ALSO CHECK OUT
**PUMA
USB RANGE**
OUT NOW!

PUPP2USB2G NOW AVAILABLE IN
BLACK & BRUSHED ALUMINIUM
PUPP2USB2GBK and PUPP2USB2GCBA
PLEASE CHECK FOR AVAILABILITY

**TRADER**®

100 Years of Gerard Electrical Tradition

