



Scorpion LED Floodlights

Slim, Lightweight and easy to install



100 Years of Gerard Electrical Tradition



Order Code
SCFL50

Order Code
SCFL30

Order Code
SCFL20

Order Code
SCFL10



Available Now through your Electrical Wholesaler

SCORPION™

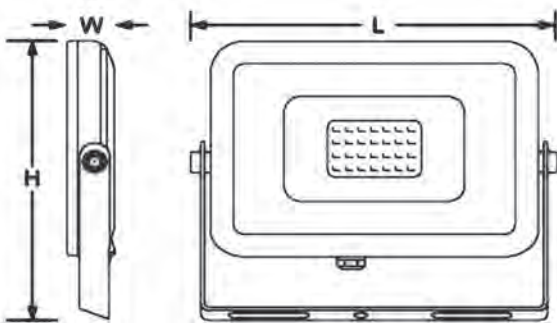
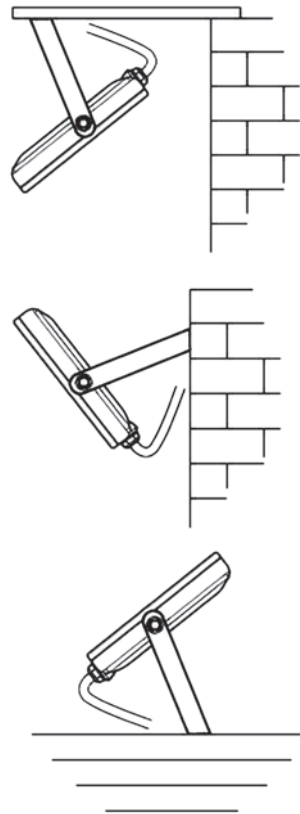
The Scorpion - LED Floodlights are launched and ready for use by Australian Electrical Contractors.

- Engineered to ensure maximum performance in a light weight and ultra thin profile
- Available in four key wattages - 10W, 20W, 30W, 50W
- Easy to install with angled bracket
- Suitable for a wide range of exterior lighting applications

Product Specification

Part Code	SCFL10	SCFL20	SCFL30	SCFL50
Lumen Output	900lm	1800lm	2700lm	4500lm
Power	10W	20W	30W	50W
Weight	0.280kg	0.720kg	0.846kg	1.026kg
Voltage Rating	240V~ 50Hz			
Colour Temp	4000K			
IP Rating	IP65			
LED Lamp Life (L70)	30,000Hrs			
Beam Angle	100°			
CRI	>70			
Cable Length	900mm			
Operating Temp	-10°C to 40°C			
Electrical Class	Class I			
Dimensions	10W	20W	30W	50W
L x W x H (mm) (refer diagram below)	166 x 27 x 86	166 x 29 x 122	195 x 32 x 144	210 x 33 x 155

Typical Mounting Options



TRADER®

100 Years of Gerard Electrical Tradition

