

Puma IP66 Switches

Trader IP66 rated flush switches have been designed to achieve IP66 on a smooth, flat, nonporous surface, from the front of the switch only.



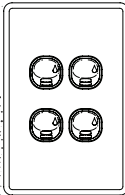
IP stands for Ingress Protection and is formed with two numbers: **IPXX**. The two numbers refer to two levels of protection.

IPXX

The first digit shows the level of protection against solid objects. The second digit shows the level of protection against liquids

Solids

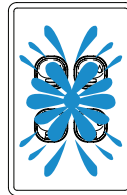
6



Dust tight. No ingress of dust. Two to eight hours

Liquids

6



Water from heavy seas or water projects in powerful jets shall not enter the enclosure in harmful quantities

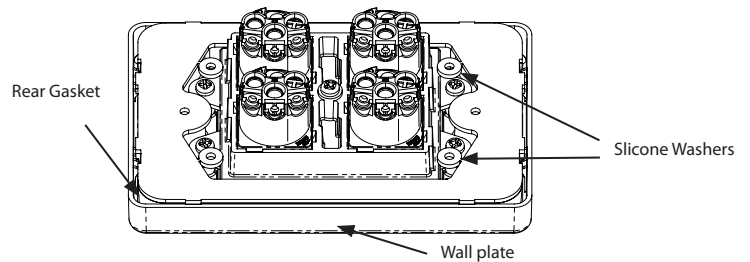
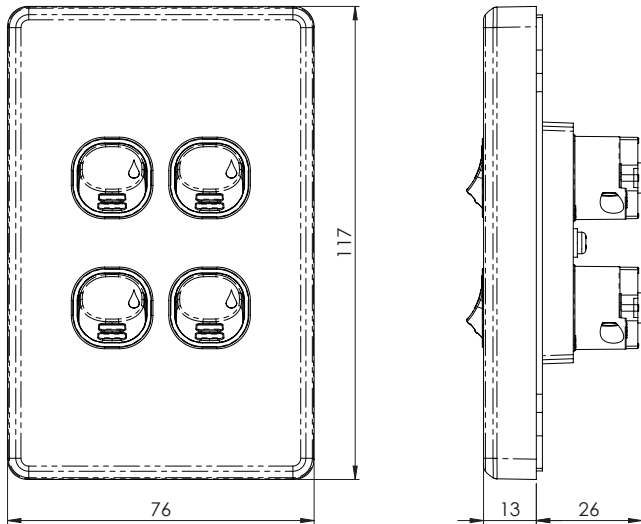
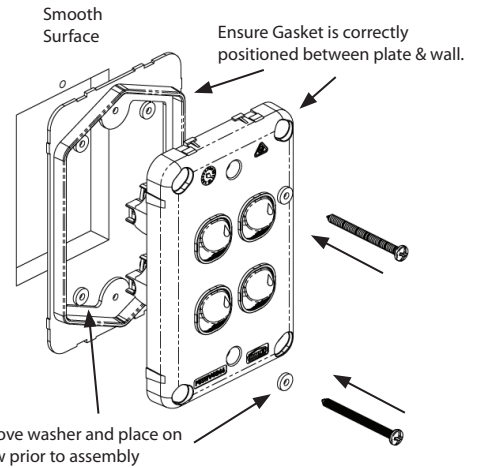


Available through your Electrical Wholesaler

Trader's Puma IP66 Switches have arrived and are ready for use by Australian Electrical Contractors.

What Puma IP66 Switchplates can do for you:

- Trader IP66 rated flush switches have been designed to achieve IP66 on a smooth, flat, non-porous surface, from the front of the switch only.
- The switches are compatible with mounting hardware for standard 84mm mounting centre wallplates.
- IP Rating : IP66 (from front only).
- Voltage Rating: 250V a.c
- Current Rating: 10AX.
- Motor Rating: M100
- No provision has been made to prevent water and dust entering from behind the switch.
- Care should be taken when mounting, to ensure that water and dust cannot bypass the gasket and come in contact with live parts.
- Ensure that the mounting surface is completely flat, smooth and non-porous.
- Make sure the rear gasket seal is located in its correct position. – Use the silicone washer.
- Clip on front cover/surround.
- Standard colour is white. PUSWV4G66 & PUSW4G66 available in Black and Matt Black



4 GANG AVAILABLE IN BLACK AND MATT BLACK

4 GANG LABELLED SWITCHPLATES AVAILABLE (FAN LIGHT HEAT HEAT)



100 Years of Gerard Electrical Tradition

