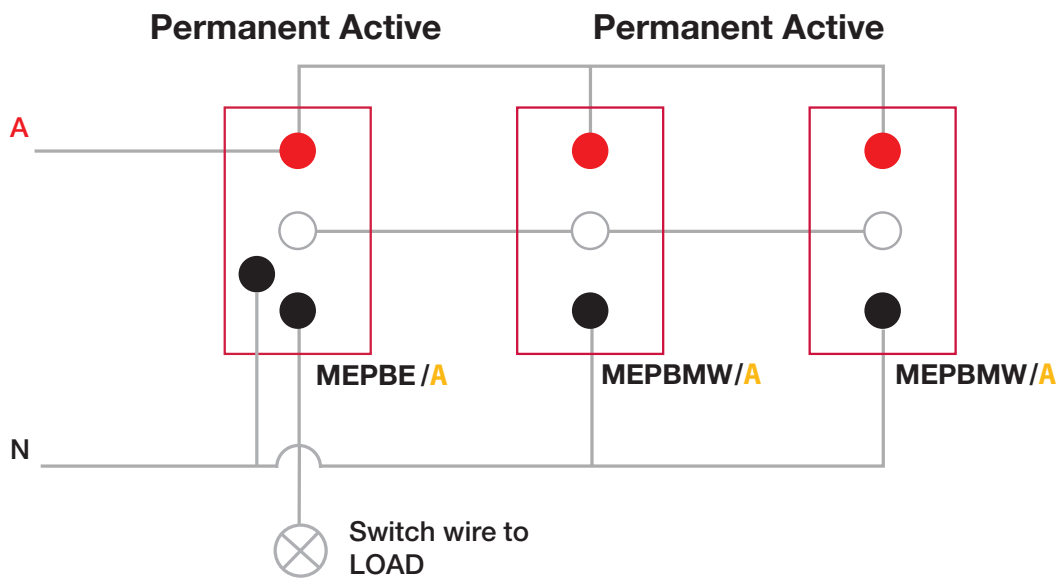




MEPBE/A & MEPBMW/A Wiring Diagram



Cable Requirements

MEERKAT 



3-WIRE
Suitable for
fans, motors or
iron core
ballasts

MEPBE/A

- Permanent Active - Red
- Switch wire to Light - Red
- Remote cable to MEPBMW - White
- Neutral must be connected to operate

Amber LED version also available

MEERKAT 



**FOR
DIMMERS
& 3-WIRE
SWITCHES**

MEPBMW/A

- Permanent Active - Red (or White)
- Remote Cable (From MEPBE) - White (or Red)
- Neutral (optional if display LED is needed) - Black

Red & White on MEPBMW can be interchanged depending on what you want the display LED to do.

Amber LED version also available