

HYENA™ 

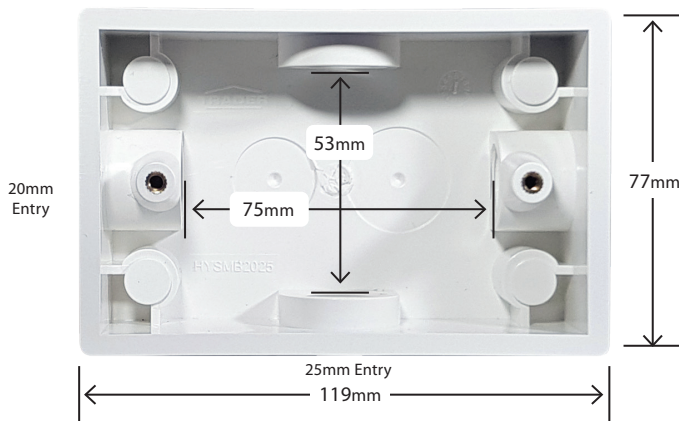


HYENASMB2025 & HYENASMB2025D/HYENASMB2520D

Hyena Surface Mounting Box Enclosure with 20mm/25mm End Entries

- Made from impact modified UV stabilised PVC
- Entries 2 x 25mm (long sides) and 2 x 20mm (short sides)
- Rear drill entries for 20mm and 25mm
- Suitable for single gang size plates
- 84mm mounting holes (short screws provided)
- Comes with caps and plugs pack for entries
- HYENASMB2025 Overall dimensions (length 119mm x width 77mm x depth 37mm)
- HYENASMB2025D/ HYENASMB2520D Overall dimensions (length 119mm x width 77mm x depth 50mm)
- HYENASMB2025 Internal depth 32.5mm
- HYENASMB2025D/ HYENASMB2520D Internal depth 43.5mm

HYENASMB2025 Back view



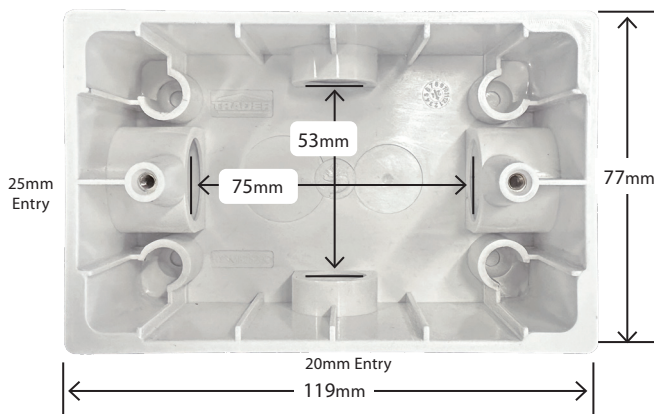
HYENASMB2025 Side view



HYENASMB2520D Side view



HYENASMB2520D Back view



HYENASMB2025D Back view

