

## CHLEPP2USB2G

\*See current catalogue for further detail



### Cleaning Guide:

Spraying cleaning products directly on to electrical switches or power points (sockets) is not recommended.

It is important to ensure that switches are turned off before cleaning.

Do not use any cleaning sprays - only wipe down with damp cloth or rub with dry cloth. (Do not use an abrasive cloth as it may scratch the plastic)

Do not use harsh chemical cleaners as these can break down the plastic and cause it to crack.

Do not wash the cover plates in water over 60°C.

## Cheetah & Leopard USB Ranges ONE SOCKET TWO COVERS

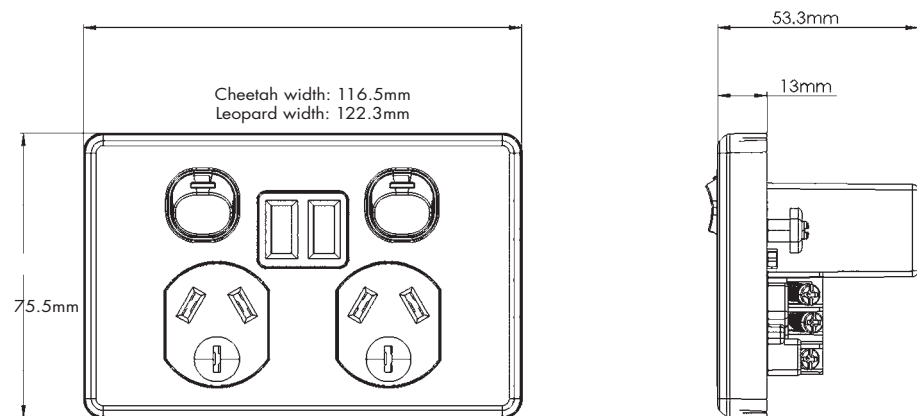
CHEETAH  LEOPARD 

**Suitable for BOTH Cheetah & Leopard Ranges**  
**Both Cheetah & Leopard covers included in the same pack**

[For some wholesalers it will be found on your system as either CHPP2USB2G or LEPP2USB2G - pointed to CHLEPP2USB2G]

### CHLEPP2USB2G

- USB outlet approved to AS/NZS 60950.1
- Electrical power point approved to AS/NZS 3112
- The rating for the USB is 3.4A at 5V when one device is inserted then it divides to split the output when a device is inserted in each USB socket
- Fits standard wall boxes and mounting accessories
- Covers, plates and dollies are made from UV stabilised polycarbonate to avoid discolouring to yellow
- Standard colour is white. Black also stocked - please check availability
- Uses brass tunnel terminals that have the screws backed out for easier installation of cabling. Power point terminals have 6mm bore to suit 4 x 2.5mm<sup>2</sup> cable
- The size of the covers are:



Catalogue Number	Description
CHLEPP2USB2G	Power Point Switched 2 Gang, 10A 250V~ and 2 USBs
CHLEPP2USB2GBK	Power Point Switched 2 Gang, 10A 250V~ and 2 USBs Black

**Certification Number:**  
CHLEPP2USB2G: GMA-103194-EA-007

**GSM Electrical (Australia) Pty Ltd**  
Level 2, 142-144 Fullarton Road, Rose Park SA 5067  
P: 1300 301 838 F: 1300 301 778 E: service@gsm.com.au  
[www.gsm.com.au](http://www.gsm.com.au)



Data Specification Sheet  
January 2018

**CHPP1G**  
**CHPP151G**  
**CHPP201G**  
**CHPPSW1G**

\*See current catalogue for further detail

**Cleaning Guide:**

Spraying cleaning products directly on to electrical switches or power points (sockets) is not recommended.

It is important to ensure that switches are turned off before cleaning.

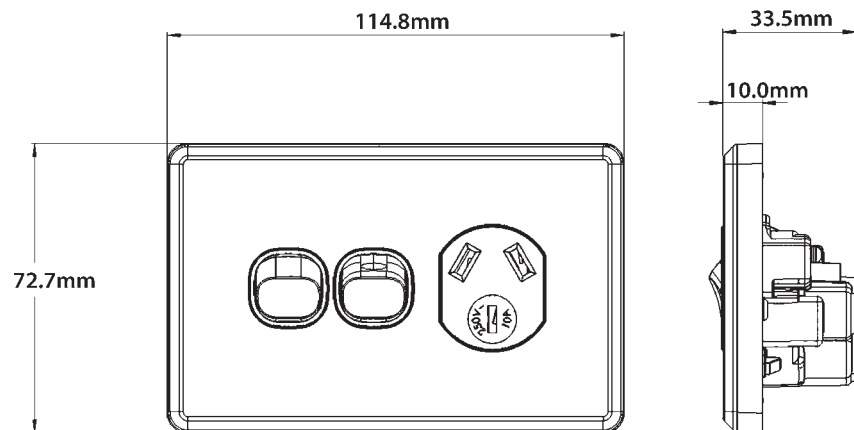
Do not use any cleaning sprays - only wipe down with damp cloth or rub with dry cloth. (Do not use an abrasive cloth as it may scratch the plastic)

Do not use harsh chemical cleaners as these can break down the plastic and cause it to crack.

Do not wash the cover plates in water over 60°C.

## Cheetah Range of Single Power Points

- Switches approved to AS/NZS3133
- Socket outlets approved to AS/NZS3112
- Fits standard Australian wall boxes and mounting accessories that use 84mm mounting centres
- Uses brass tunnel terminals that have the screws backed out for easier installation of cabling. Power point terminals have 6mm bore to suit 4 x 2.5mm<sup>2</sup> cable. Switch terminals have 4.1mm bore to suit 4 x 1.5mm<sup>2</sup>
- Combination head screws for the socket terminals
- Uses 'Cat Flap' screw covers for IP rating of mounting screws
- Dolly indicator colour green
- Covers, plates and dollies are made from UV stabilised polycarbonate to avoid discolouring to yellow
- Colour: White
- Typical example of size seen below:



Catalogue Number	Description
CHPP1G	Power Point Switched 1 Gang, 10A 250V~
CHPP151G	Power Point Switched 1 Gang, 15A 250V~
CHPP201G	Power Point Switched 1 Gang, 20A 250V~
CHPPSW1G	Power Point Switched 1 Gang, 10A 250V~ with Extra Switch 16AX/20A

**Certification Number:**

CHPP1G, CHPP151G, CHPPSW1G GMA-500349-EA

CHPP201G: GMA-103194-EA-021

**GSM Electrical (Australia) Pty Ltd**

Level 2, 142-144 Fullarton Road, Rose Park SA 5067

P: 1300 301 838 F: 1300 301 778 E: service@gsme.com.au

[www.gsme.com.au](http://www.gsme.com.au)



## CHPP2G CHPP152G CHPPSW2G

\*See current catalogue for further detail

### Cleaning Guide:

Spraying cleaning products directly on to electrical switches or power points (sockets) is not recommended.

It is important to ensure that switches are turned off before cleaning.

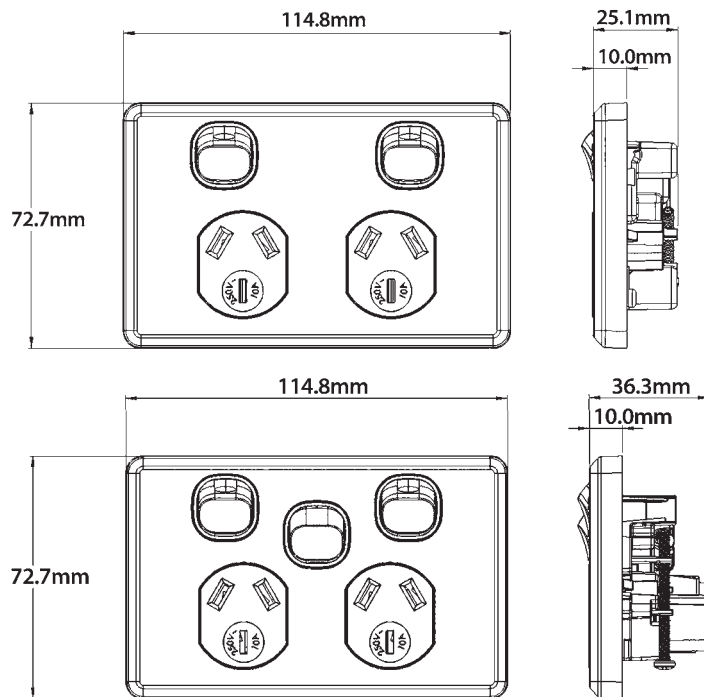
Do not use any cleaning sprays - only wipe down with damp cloth or rub with dry cloth. (Do not use an abrasive cloth as it may scratch the plastic)

Do not use harsh chemical cleaners as these can break down the plastic and cause it to crack.

Do not wash the cover plates in water over 60°C.

## Cheetah Range of Double Power Points

- Switches approved to AS/NZS3133
- Socket outlets approved to AS/NZS3112
- Fits standard Australian wall boxes and mounting accessories that use 84mm mounting centres
- Uses brass tunnel terminals that have the screws backed out for easier installation of cabling. Power point terminals have 6mm bore to suit 4 x 2.5mm<sup>2</sup> cable. Switch terminals have 4.1mm bore to suit 4 x 1.5mm<sup>2</sup>
- Combination head screws for the socket terminals
- Uses 'Cat Flap' screw covers for IP rating of mounting screws
- Dolly indicator colour green
- Covers, plates and dollies are made from UV stabilised polycarbonate to avoid discolouring to yellow
- Colour: White
- Typical example of size seen below:



Catalogue Number	Description
CHPP2G	Power Point Switched 2 Gang, 10A 250V~
CHPP152G	Power Point Switched 2 Gang, 15A 250V~
CHPPSW2G	Power Point Switched 2 Gang, 10A 250V~ with Extra Switch 16AX/20A

### Certification Number:

CHPP2G / CHPP152G: GMA-500349-EA

CHPPSW2G: GMA-500348-EA

### GSM Electrical (Australia) Pty Ltd

Level 2, 142-144 Fullarton Road, Rose Park SA 5067

P: 1300 301 838 F: 1300 301 778 E: service@g sme.com.au

[www.g sme.com.au](http://www.g sme.com.au)



Data Specification Sheet  
November 2017

**CHSWV1G**  
**CHSWV2G**  
**CHSWV3G**  
**CHSWV4G**  
**CHSWV5G**  
**CHSWV6G**  
**CHSW1G**  
**CHSW2G**  
**CHSW3G**  
**CHSW4G**  
**CHSW5G**  
**CHSW6G**

\*See current catalogue for further detail

**Note: MESWC (previously LESWM) switch mechanism used in conjunction with Snow Leopard, Leopard and Cheetah plates**

**Cleaning Guide:**

Spraying cleaning products directly on to electrical switches or power points (sockets) is not recommended.

It is important to ensure that switches are turned off before cleaning.

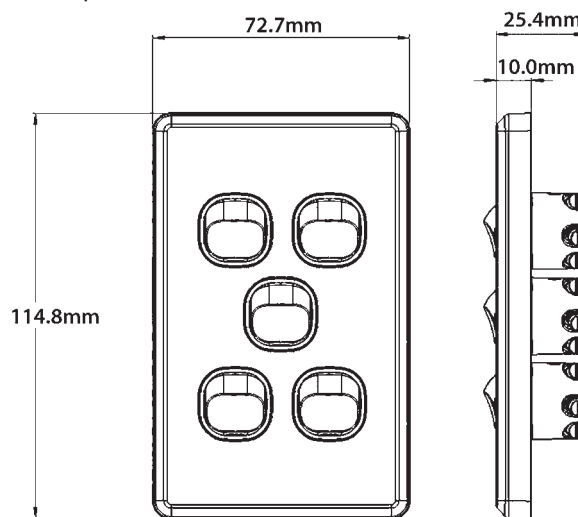
Do not use any cleaning sprays - only wipe down with damp cloth or rub with dry cloth. (Do not use an abrasive cloth as it may scratch the plastic).

Do not use harsh chemical cleaners as these can break down the plastic and cause it to crack.

Do not wash the cover plates in water over 60°C.

## Cheetah Range of Switch Plates

- Switches are rated 16AX/20A 250V~ and approved to AS/NZS60669-1
- Fits standard Australian wall boxes and mounting accessories that use 84mm mounting centres
- Uses brass tunnel terminals that have the screws backed out for easier installation of cabling. Switches are two way with looping terminal and suit 4 x 1.5mm<sup>2</sup> cabling with 4.1 bore
- Slotted head screws for the terminals
- Covers, plates and dollies are made from UV stabilised polycarbonate to avoid discolouring to yellow
- Colour: White
- Typical example of size seen below:



Catalogue Number	Description
CHSWV1G	Switch Vertical 1 Gang, 16AX/20A 250V~
CHSWV2G	Switch Vertical 2 Gang, 16AX/20A 250V~
CHSWV3G	Switch Vertical 3 Gang, 16AX/20A 250V~
CHSWV4G	Switch Vertical 4 Gang, 16AX/20A 250V~
CHSWV5G	Switch Vertical 5 Gang, 16AX/20A 250V~
CHSWV6G	Switch Vertical 6 Gang, 16AX/20A 250V~
CHSW1G	Switch Horizontal 1 Gang, 16AX/20A 250V~
CHSW2G	Switch Horizontal 2 Gang, 16AX/20A 250V~
CHSW3G	Switch Horizontal 3 Gang, 16AX/20A 250V~
CHSW4G	Switch Horizontal 4 Gang, 16AX/20A 250V~
CHSW5G	Switch Horizontal 5 Gang, 16AX/20A 250V~
CHSW6G	Switch Horizontal 6 Gang, 16AX/20A 250V~

**Horizontals available by request**

**MEERKAT** 

**MEERKAT Switch Mechanisms** are used for all switch plates. Please refer to Meerkat Mech Matrix for range compatibility.

**Certification Number:**  
GMA-500226-EA

**GSM Electrical (Australia) Pty Ltd**  
 Level 2, 142-144 Fullarton Road, Rose Park SA 5067  
 P: 1300 301 838 F: 1300 301 778 E: service@gsme.com.au  
[www.gsme.com.au](http://www.gsme.com.au)



## CHSWVA1G CHSWVA2G CHSWVA3G

\*See current catalogue for further detail

**Note: MESWC (previously LESWM) switch mechanism used in conjunction with Snow Leopard, Leopard and Cheetah plates**

### Cleaning Guide:

Spraying cleaning products directly on to electrical switches or power points (sockets) is not recommended.

It is important to ensure that switches are turned off before cleaning.

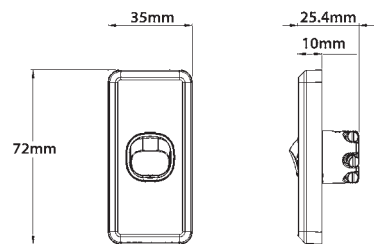
Do not use any cleaning sprays - only wipe down with damp cloth or rub with dry cloth. (Do not use an abrasive cloth as it may scratch the plastic)

Do not use harsh chemical cleaners as these can break down the plastic and cause it to crack.

Do not wash the cover plates in water over 60°C.

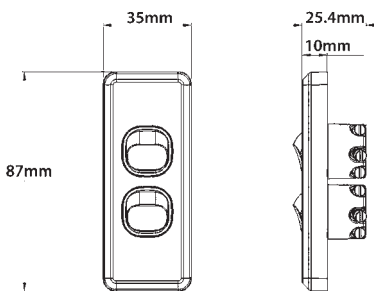
## Cheetah Range of Architrave Switches

- Switches are rated 16AX/20A 250V~ and approved to AS/NZS60669-1
- Uses brass tunnel terminals that have the screws backed out for easier installation of cabling. Switches are two way with looping terminal and suit 4 x 1.5mm<sup>2</sup> cabling with 4.1mm bore
- Slotted head screws for the terminals
- Covers, plates and dollies are made from UV stabilised polycarbonate to avoid discolouring to yellow
- Colour: White
- Typical example of size seen below:



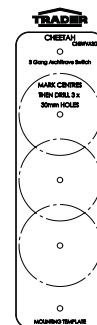
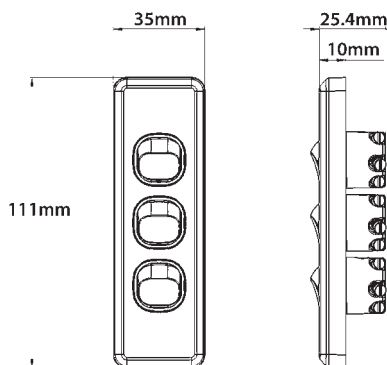
example of cutting template supplied

**CHSWVA1G**



example of cutting template supplied

**CHSWVA2G**



example of cutting template supplied

**CHSWVA3G**

Catalogue Number	Description
CHSWVA1G	Switch Vertical Architrave 1 Gang, 16AX/20A 250V~
CHSWVA2G	Switch Vertical Architrave 2 Gang, 16AX/20A 250V~
CHSWVA3G	Switch Vertical Architrave 3 Gang, 16AX/20A 250V~

**MEERKAT** 

**MEERKAT Switch Mechanisms** are used for all switch plates. Please refer to Meerkat Mech Matrix for range compatibility.

**Certification Number:**  
GMA-500226-EA

**GSM Electrical (Australia) Pty Ltd**  
Level 2, 142-144 Fullarton Road, Rose Park SA 5067  
P: 1300 301 838 F: 1300 301 778 E: service@g sme.com.au  
[www.g sme.com.au](http://www.g sme.com.au)



Data Specification Sheet  
November 2017

**CHBIG4**  
**CHBIG5**  
**CHBIG4MB**  
**CHBIG5MB**

\*See current catalogue for further detail

**Cleaning Guide:**

Spraying cleaning products directly on to electrical switches or power points (sockets) is not recommended.

It is important to ensure that switches are turned off before cleaning.

Do not use any cleaning sprays - only wipe down with damp cloth or rub with dry cloth. (Do not use an abrasive cloth as it may scratch the plastic)

Do not use harsh chemical cleaners as these can break down the plastic and cause it to crack.

Do not wash the cover plates in water over 60°C.

## Cheetah BIG4 and BIG5 Fixed Power Points

### CHBIG4

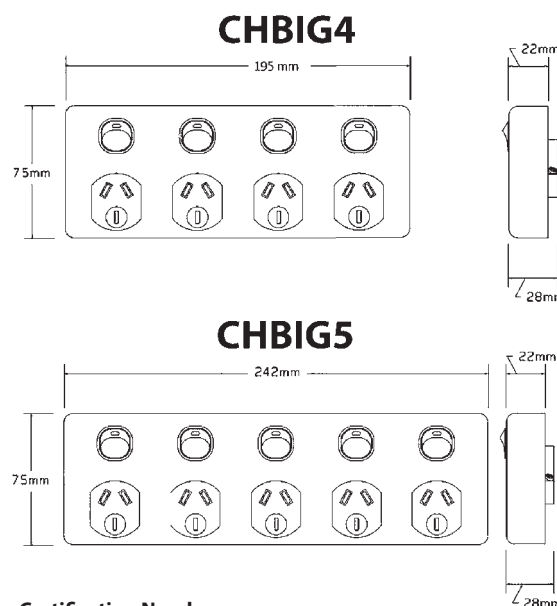
- Approved to AS/NZS3112
- Double pole surface mounted switched power point
- 10A at 250V~
- Diameter 6mm terminal bores to suit 4 x 2.5 mm<sup>2</sup> cables. 6mm terminal bore
- Fits 84 mm mounting centres
- Dolly indicator colour green
- Covers, plates and dollyes are made from UV stabilised polycarbonate to avoid discolouring to yellow
- Colour: White

### CHBIG5

- Approved to AS/NZS3112
- Double pole surface mounted switched power point
- 10A at 250V~
- Diameter 6mm terminal bores to suit 4 x 2.5 mm<sup>2</sup> cables. 6mm terminal bore
- Fits 84 mm mounting centres
- Dolly indicator colour green
- Covers, plates and dollyes are made from UV stabilised polycarbonate to avoid discolouring to yellow
- **The BIG5 uses the same features and mounting system as the BIG4, but has the additional switched socket for convenience**

### CHBIG4MB and CHBIG5MB Mounting Blocks (Not pictured)

- 15mm high mounting block to suit CHBIG4 and CHBIG5
- Made from UV stabilised polycarbonate to avoid discolouring to yellow
- Mounting blocks include backing plates for situations where fully enclosed insulation is required



**CHBIG4 and CHBIG5  
 DOUBLE POLE**

**Certification Number:**  
 GMA-103194-EA-003

**GSM Electrical (Australia) Pty Ltd**  
 Level 2, 142-144 Fullarton Road, Rose Park SA 5067  
 P: 1300 301 838 F: 1300 301 778 E: service@gsme.com.au  
[www.gsme.com.au](http://www.gsme.com.au)



## CH4X4 CH4X4BK CH4X4MB

\*See current catalogue for further detail

### Cleaning Guide:

Spraying cleaning products directly on to electrical switches or power points (sockets) is not recommended.

It is important to ensure that switches are turned off before cleaning.

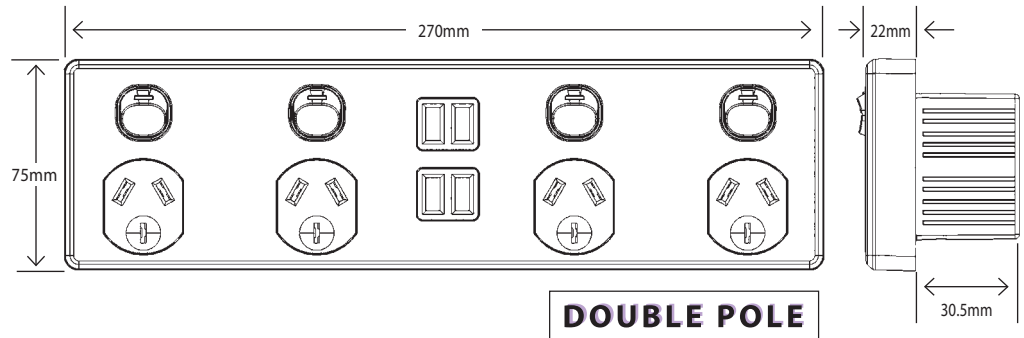
Do not use any cleaning sprays - only wipe down with damp cloth or rub with dry cloth. (Do not use an abrasive cloth as it may scratch the plastic)

Do not use harsh chemical cleaners as these can break down the plastic and cause it to crack.

Do not wash the cover plates in water over 60°C.

## 4 x 4 – 4 Sockets x 4 USB's

- Approved to AS/NZS3112 & AS/NZS60950-1
- Four sockets and four USB ports
- Wide spacing between sockets for wide plug bases.
- Mounting Block [CH4X4MB] suits both Puma and Cheetah 4X4 Products.
- Dolly indicator colour green
- The rating for the USB is 2 x 3.1A at 5V when one device is inserted then it divides to split the output when a device is inserted in each USB socket - 3.1A available across 2 USB outlets on the left and 3.1A available across 2 USB outlets on the right
- Fits standard wall boxes and mounting accessories
- Covers, plates and dollies are made from UV stabilised polycarbonate to avoid discolouring to yellow
- Standard colour is white. Black also stocked - please check availability



### CH4X4MB Mounting Block

- 31mm high mounting block to suit CH4X4 (34mm with backing plate)
- Made from UV stabilised polycarbonate to avoid discolouring to yellow
- Mounting block includes backing plate for situations where fully enclosed insulation is required



Catalogue Number	Description
CH4X4	Power Point Switched 4 Gang, 10A 250V~ and 4 USBs
CH4X4BK	Power Point Switched 4 Gang, 10A 250V~ and 4 USBs Black
CH4X4MB	Mounting Block (31mm deep) / with backing plate (34mm deep)

Certification Number: GMA-502543-EA

GSM Electrical (Australia) Pty Ltd

Level 2, 142-144 Fullarton Road, Rose Park SA 5067

P: 1300 301 838 F: 1300 301 778 E: service@gsme.com.au

www.gsme.com.au



Data Specification Sheet  
January 2018

